

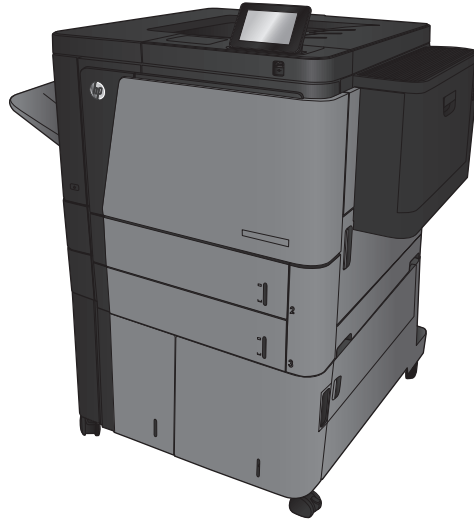


# LASERJET ENTERPRISE M806

## User Guide



M806dn



M806x+





# HP LaserJet Enterprise M806

User Guide

**Copyright and License**

© 2013 Copyright Hewlett-Packard Development Company, L.P.

Reproduction, adaptation, or translation without prior written permission is prohibited, except as allowed under the copyright laws.

The information contained herein is subject to change without notice.

The only warranties for HP products and services are set forth in the express warranty statements accompanying such products and services. Nothing herein should be construed as constituting an additional warranty. HP shall not be liable for technical or editorial errors or omissions contained herein.

Part number: CZ244-90904

Edition 1, 10/2013

**Trademark Credits**

Adobe®, Adobe Photoshop®, Acrobat®, and PostScript® are trademarks of Adobe Systems Incorporated.

Apple and the Apple logo are trademarks of Apple Computer, Inc., registered in the U.S. and other countries. iPod is a trademark of Apple Computer, Inc. iPod is for legal or rightholder-authorized copying only. Don't steal music.

Microsoft®, Windows®, Windows® XP, and Windows Vista® are U.S. registered trademarks of Microsoft Corporation.

UNIX® is a registered trademark of The Open Group.

---

# Table of contents

<b>1 Product introduction</b>	<b>1</b>
Product comparison	2
Product views	4
Product front view	4
Product back view	5
Interface ports	6
Control-panel view	7
Finishing accessory views	9
Stapler/stacker	9
Stapler/stacker with hole punch	10
Booklet maker	11
Product hardware setup and software installation	12
<b>2 Paper trays</b>	<b>13</b>
Configure trays for paper type and size	14
Configure a tray when loading paper	14
Configure a tray to match print job settings	14
Configure a tray by using the control panel	14
Load Tray 1	15
Load Tray 2 and Tray 3	19
Load Tray 4 and Tray 5	23
Configure the default staple location	25
Configure the default hole punch location	25
<b>3 Parts, supplies, and accessories</b>	<b>27</b>
Order parts, accessories, and supplies	28
Ordering	28
Parts and supplies	28
Accessories	30
Replace the toner cartridge	31

<b>4 Print</b> .....	<b>35</b>
Print tasks (Windows) .....	36
How to print (Windows) .....	36
Automatically print on both sides (Windows) .....	37
Manually print on both sides (Windows) .....	39
Print multiple pages per sheet (Windows) .....	41
Select the paper type (Windows) .....	43
Print tasks (Mac OS X) .....	46
How to print (Mac OS X) .....	46
Automatically print on both sides (Mac OS X) .....	46
Manually print on both sides (Mac OS X) .....	46
Print multiple pages per sheet (Mac OS X) .....	46
Select the paper type (Mac OS X) .....	47
Store print jobs on the product .....	48
Create a stored job (Windows) .....	48
Create a stored job (Mac OS X) .....	50
Print a stored job .....	51
Delete a stored job .....	51
Mobile printing .....	52
HP ePrint .....	52
HP ePrint software .....	52
AirPrint .....	53
Print from the USB port .....	54
Enable the USB port for printing .....	54
Print USB documents .....	54
<b>5 Manage the product</b> .....	<b>55</b>
HP Embedded Web Server .....	56
How to access the HP Embedded Web Server (EWS) .....	56
HP Utility for Mac OS X .....	57
Open HP Utility .....	57
HP Utility features .....	57
Use HP Web Jetadmin software .....	59
Economy settings .....	60
Print with EconoMode .....	60
Set Sleep mode .....	60
Set the Sleep Schedule .....	61
Product security features .....	62
Security statements .....	62
IP Security .....	62
Sign in to the product .....	62

Assign a system password .....	62
Encryption support: HP High Performance Secure Hard Disks .....	63
Software and firmware updates .....	64
<b>6 Solve problems .....</b>	<b>65</b>
Restore factory-set defaults .....	66
Control panel help system .....	67
A “Cartridge is low” or “Cartridge is very low” message displays on the product control panel .....	68
Change the “Very Low” settings .....	68
For products with fax capability .....	68
Order supplies .....	69
Product does not pick up paper or misfeeds .....	70
The product does not pick up paper .....	70
The product picks up multiple sheets of paper .....	70
The document feeder jams, skews, or picks up multiple sheets of paper .....	70
Clear jams .....	72
Auto-navigation for clearing jams .....	72
Experiencing frequent or recurring paper jams? .....	72
Clear jams in the front door .....	73
Clear jams in Tray 1 .....	76
Clear jams in the right door .....	79
Clear jams in Tray 2 and Tray 3 .....	82
Clear jams in Tray 4 and Tray 5 .....	83
Clear jams in the duplexer .....	87
Clear jams in the left door (fuser area) .....	92
Clear jams in the output bin area .....	95
Clear jams in the stapler/stacker accessory .....	97
Clear jams in the stapler/stacker .....	97
Clear connection jams .....	98
Clear Staple 1 jams .....	99
Clear jams in the stapler/stacker with hole punch accessory .....	103
Clear top left door jams in the stapler/stacker with hole punch accessory .....	103
Clear a connection jam in the stapler/stacker with hole punch accessory .....	106
Clear Staple 1 jams .....	110
Clear jams in the booklet maker accessory .....	114
Clear jams in the front left door of the booklet maker .....	114
Clear connection jams .....	117
Clear Staple 1 jams .....	118
Clear staple jams in the booklet maker .....	120
Improve print quality .....	125
Print from a different software program .....	125

Check the paper-type setting for the print job .....	125
Check the paper type setting (Windows) .....	125
Check the paper type setting (Mac OS X) .....	126
Check toner-cartridge status .....	126
Print a cleaning page .....	127
Visually inspect the toner-cartridge .....	127
Check paper and the printing environment .....	127
Use paper that meets HP specifications .....	127
Check the environment .....	128
Check the EconoMode settings .....	128
Try a different print driver .....	129
Set the individual tray alignment .....	129
Solve wired network problems .....	131
Poor physical connection .....	131
The computer is using the incorrect IP address for the product .....	131
The computer is unable to communicate with the product .....	131
The product is using incorrect link and duplex settings for the network .....	132
New software programs might be causing compatibility problems .....	132
The computer or workstation might be set up incorrectly .....	132
The product is disabled, or other network settings are incorrect .....	132
<b>Index .....</b>	<b>133</b>



---

# 1 Product introduction

- [Product comparison](#)
- [Product views](#)
- [Finishing accessory views](#)
- [Product hardware setup and software installation](#)

## For more information:

In the US, go to [www.hp.com/support/ljM806](http://www.hp.com/support/ljM806).

Outside the US, go to [www.hp.com/support](http://www.hp.com/support). Select your country/region. Click **Product Support & Troubleshooting**. Enter the product name, and then select **Search**.

HP's all-inclusive help for your product includes the following information:

- Install and configure
- Learn and use
- Solve problems
- Download software updates
- Join support forums
- Find warranty and regulatory information

## Product comparison

		M806dn	M806x+
		CZ244A	CZ245A
<b>Paper handling</b>	Tray 1 (100-sheet capacity)	✓	✓
	Tray 2 and Tray 3 (500-sheet capacity each)	✓	✓
	Tray 4 and Tray 5 (combined 3,500-sheet capacity)		✓
	Automatic duplex printing	✓	✓
	500-sheet output bin	✓	✓
<b>Connectivity</b>	10/100/1000 Ethernet LAN connection with IPv4 and IPv6	✓	✓
	Easy-access USB port for printing without a computer and upgrading the firmware	✓	✓
	Wireless direct accessory for “touch” printing from mobile devices (optional on some printers)		✓
<b>Storage</b>	HP High-Performance Secure Hard Disk		✓
<b>Control-panel display and input</b>	Touchscreen control panel	✓	✓
<b>Print</b>	Prints 55 pages per minute (ppm) on A4 and Letter-size paper	✓	✓
	Easy-access USB printing (no computer required)	✓	✓
	Wireless direct accessory for “touch” printing from mobile devices (optional on some printers)		✓
	Mobile printing using the following: <ul style="list-style-type: none"> <li>• HP ePrint</li> <li>• HP ePrint software<sup>1</sup></li> <li>• HP ePrint Enterprise</li> <li>• HP ePrint Home &amp; Biz</li> <li>• HP Printer Control</li> <li>• Google Cloud Print</li> <li>• AirPrint</li> </ul>	✓	✓
<b>Supported operating systems<sup>23</sup></b>	Windows XP SP2 or later, 32-bit and 64-bit	✓	✓
	<p><b>NOTE:</b> The software installer does not support the 64-bit version, but the print driver supports it.</p> <p><b>NOTE:</b> Microsoft retired mainstream support for Windows XP in April 2009. HP will continue to provide best-effort support for the discontinued XP operating system.</p>		
	Windows Vista, 32-bit and 64-bit	✓	✓
	<p><b>NOTE:</b> Windows Vista Starter is not supported by the software installer or the print driver.</p>		

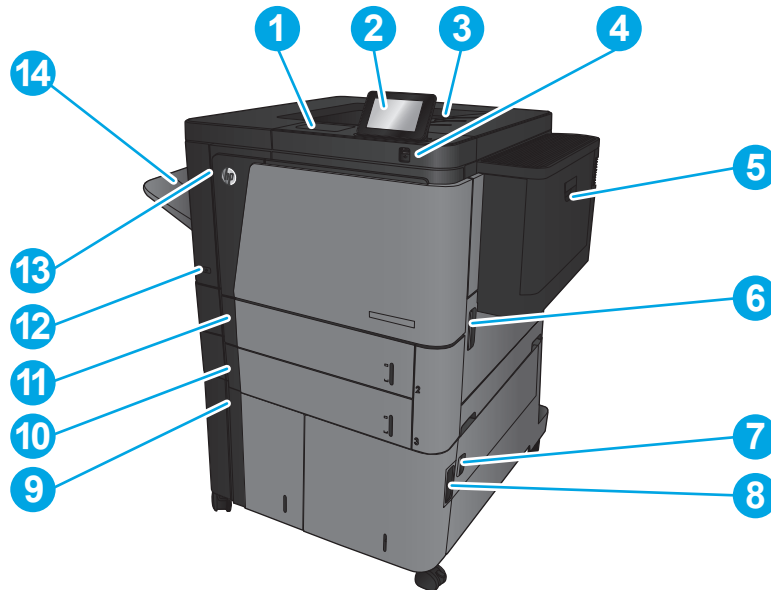
	M806dn	M806x+
	CZ244A	CZ245A
Windows 7, 32-bit and 64-bit	✓	✓
Windows 8, 32-bit and 64-bit	✓	✓
<b>NOTE:</b> UPD PCL 5 is not supported for Windows 8.		
Windows 2003 Server SP1 or later, 32-bit and 64-bit	✓	✓
<b>NOTE:</b> The software installer does not support the 64-bit version, but the print driver supports it.		
<b>NOTE:</b> Microsoft retired mainstream support for Windows Server 2003 in July 2010. HP will continue to provide best-effort support for the discontinued Server 2003 operating system.		
Windows Server 2008, 32-bit and 64-bit	✓	✓
Windows Server 2008 R2, 64-bit	✓	✓
Windows Server 2012, 64-bit	✓	✓
<b>NOTE:</b> UPD PCL 5 is not supported for Windows Server 2012.		
Mac OS X 10.6, 10.7 Lion, and 10.8 Mountain Lion	✓	✓

- <sup>1</sup> The HP ePrint Software supports the following operating systems: Windows® XP SP2 or greater (32-bit) up to ePrint Software version 3; Windows Vista® (32-bit and 64-bit); Windows 7 (32-bit and 64-bit); Windows 8 (32-bit and 64-bit); and Mac OS X versions 10.6, 10.7 Lion, and 10.8 Mountain Lion.
- <sup>2</sup> The list of supported operating systems applies to the Windows PCL 6, UPD PCL 6, UPD PCL 5, UPD PS, and Mac print drivers and to the in-box software installation CD. For a current list of supported operating systems, go to [www.hp.com/support/ljM806](http://www.hp.com/support/ljM806) for HP's all-inclusive help for your product. If you are located outside the US, go to [www.hp.com/support](http://www.hp.com/support), select a country/region, click **Product Support & Troubleshooting**, enter the product name, and then select **Search**.
- <sup>3</sup> The HP Software Installer CD for Windows and Mac installs the HP PCL 6 discrete driver and .NET 3.5 SP1 for Windows operating systems, the .NET 4.0 for Windows 8 and Windows Server 2012, and the Mac driver and Mac Utility for the Mac operating systems. Other optional software is also included on the installation CD.

## Product views

- [Product front view](#)
- [Product back view](#)
- [Interface ports](#)
- [Control-panel view](#)

### Product front view



---

1	Hardware integration pocket (for connecting accessory and third-party devices)
---	--

---

2	Control panel with color touchscreen display (tilts up for easier viewing)
---	--

---

3	Top output bin
---	----------------

---

4	Easy-access USB port (for printing without a computer)
---	--

**NOTE:** An administrator must enable this port before use. See [Print from the USB port on page 54](#).

---

5	Tray 1
---	--------

---

6	Right-side door (access for clearing jams)
---	--

---

7	Lower-right door (access for clearing jams)
---	---

---

8	Tray 4
---	--------

---

9	Tray 5
---	--------

---

10	Tray 3
----	--------

---

11	Tray 2
----	--------

---

12	On/off button
----	---------------

---

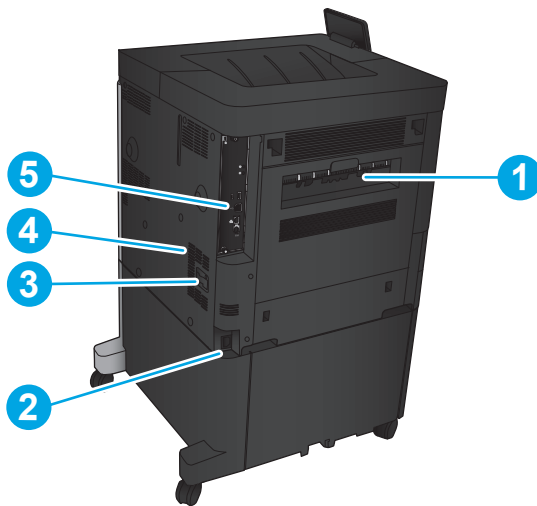
13	Front door (access to the toner cartridge)
----	--

---

14	Straight-through output bin
----	-----------------------------

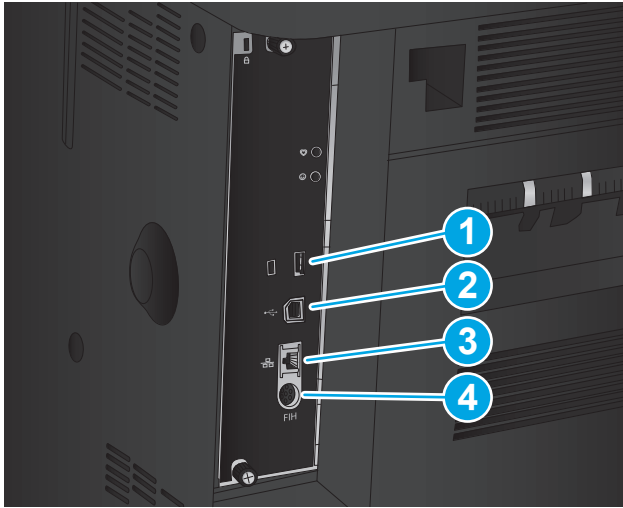
---

## Product back view



- |   |  |
|---|--|
| 1 | Left door (access to the fuser and the duplexer) |
| 2 | Power connection                                 |
| 3 | Connection for an optional finishing accessory   |
| 4 | Model and serial number label                    |
| 5 | Formatter (contains the interface ports)         |

## Interface ports



---

1 USB port for connecting external USB devices (this port might be covered)

---

2 Hi-Speed USB 2.0 printing port

**NOTE:** For Easy-access USB printing, use the USB port near the control panel.

---

3 Local area network (LAN) Ethernet (RJ-45) network port

---


4 Foreign interface harness (for connecting third-party devices)


---

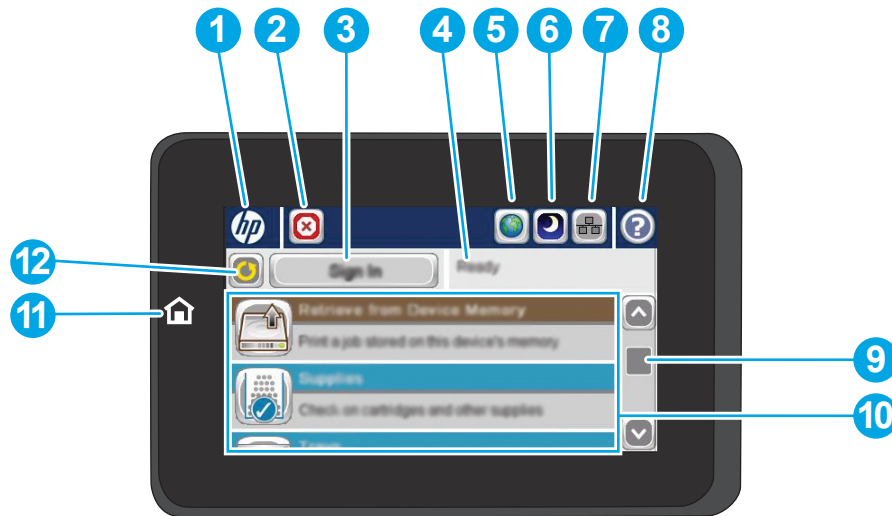
## Control-panel view



The Home screen provides access to the product features and indicates the current status of the product.

You can return to the Home screen at any time by touching the Home button on the left side of the product control panel. You can also touch the Home button in the upper-left corner of most screens.

 **NOTE:** HP regularly updates features that are available in the product firmware. To take advantage of the most current features, update the product firmware. To download the most recent firmware update file, go to [www.hp.com/support/ljM806](http://www.hp.com/support/ljM806) for HP's all-inclusive help for your product. If you are located outside the US, go to [www.hp.com/support](http://www.hp.com/support), select a country/region, click **Product Support & Troubleshooting**, enter the product name, and then select **Search**.

 **NOTE:** The features that appear on the Home screen can vary, depending on the product configuration.



1	HP logo or Home button	On any screen other than the Home screen, the HP logo changes to a Home  button. Touch the Home  button to return to the Home screen.
2	Stop button	Touch the Stop button to pause the current job. The <b>Job Status</b> screen opens, and then you can cancel or continue the job.
3	Sign In or Sign Out button	Touch the <b>Sign In</b> button to access secured features.  Touch the <b>Sign Out</b> button to sign out of the product if you have signed in for access to secured features. After you sign out, the product restores all options to the default settings.
4	Product status	The status line provides information about the overall product status.
5	Language Selection button	Touch the Language Selection button to select the language for the control-panel display.
6	Sleep button	Touch the Sleep button to put the product into Sleep mode.
7	Network button	Touch the Network button to find information about the network connection.
8	Help button	Touch the Help button to open the embedded help system.
9	Scroll bar	Touch the up or down arrows on the scroll bar to see the complete list of available features.

---

10	Features	Depending on the product configuration, the features that appear in this area can include any of the following items: <ul style="list-style-type: none"><li>• <a href="#">Quick Sets</a></li><li>• <a href="#">Retrieve from USB</a></li><li>• <a href="#">Retrieve from Device Memory</a></li><li>• <a href="#">Job Status</a></li><li>• <a href="#">Supplies</a></li><li>• <a href="#">Trays</a></li><li>• <a href="#">Administration</a></li><li>• <a href="#">Device Maintenance</a></li></ul>
11	Home button and light	Touch to return to the product Home screen at any time.
12	Refresh button	Touch the Refresh button to clear changes and restore the default settings.

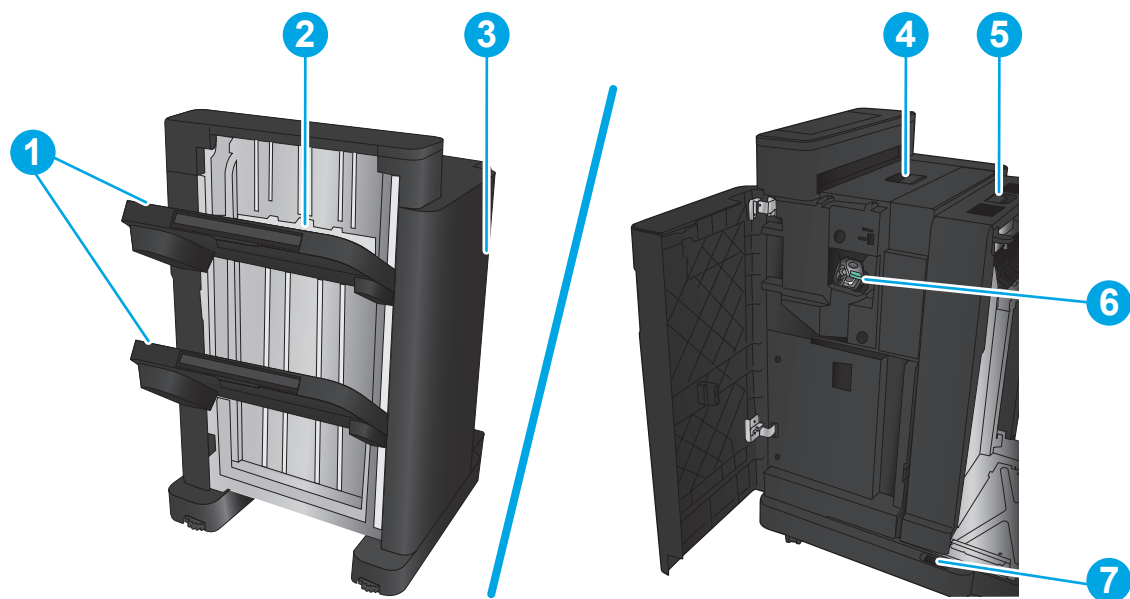
---



## Finishing accessory views

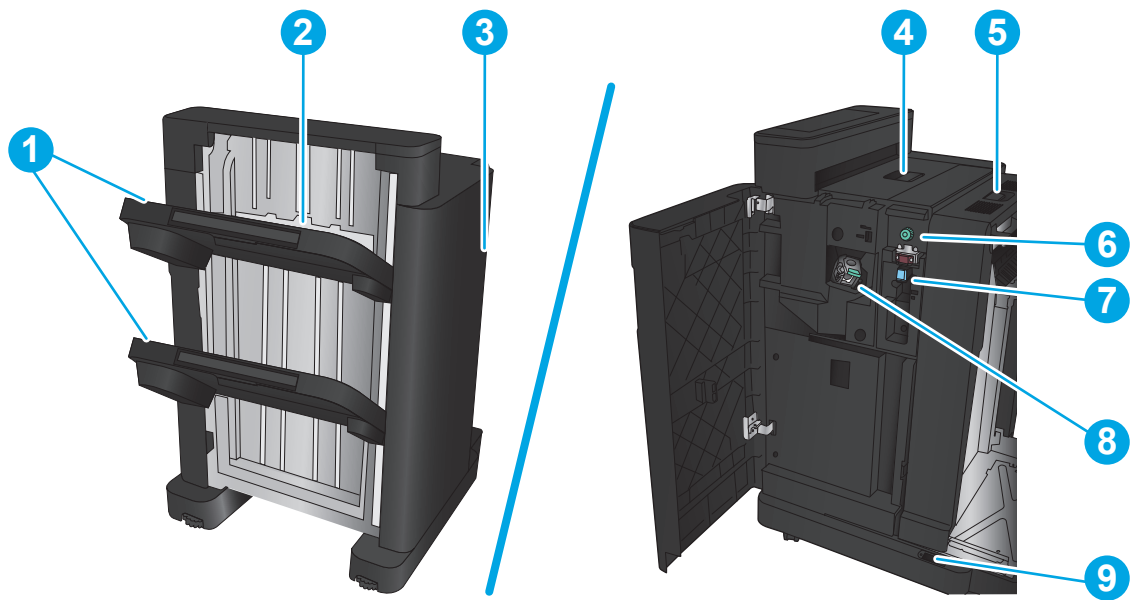
- [Stapler/stacker](#)
- [Stapler/stacker with hole punch](#)
- [Booklet maker](#)

### Stapler/stacker



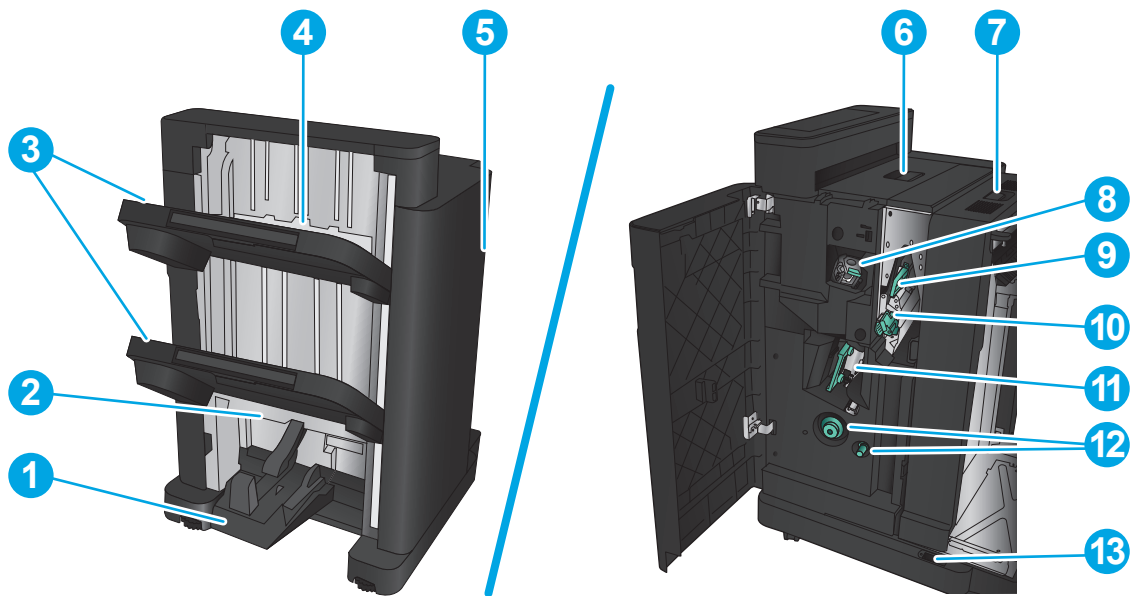
1	Stapler/stacker output bins
2	Stapler/stacker output slot
3	Front door
4	Top cover
5	Upper release latch
6	Stapler 1
7	Lower release latch

## Stapler/stacker with hole punch



1	Stapler/stacker output bins
2	Stapler/stacker output slot
3	Front door
4	Top cover
5	Upper release latch
6	Hole punch
7	Chad collector
8	Stapler 1
9	Lower release latch

## Booklet maker



1	Booklet output bin
2	Booklet output slot
3	Stapler/stacker output bins
4	Stapler/stacker output slot
5	Front door
6	Top cover
7	Upper release latch
8	Stapler 1
9	Upper paper delivery guide
10	Lower paper delivery guide
11	Saddle-stitch carriage, access to stapler 2 and stapler 3
12	Paper-advancement knobs for clearing jams
13	Lower release latch

## Product hardware setup and software installation

For basic setup instructions, see the Hardware Installation Guide that came with the product. For additional instructions, go to HP support on the Web.

In the US, go to [www.hp.com/support/ljM806](http://www.hp.com/support/ljM806) for HP's all-inclusive help for your product.

Outside the US, follow these steps:

1. Go to [www.hp.com/support](http://www.hp.com/support).
2. Select your country/region.
3. Click **Product Support & Troubleshooting**.
4. Enter the product name, and then select **Search**.

Select your product to find the following support:

- Install and configure
- Learn and use
- Solve problems
- Download software updates
- Join support forums
- Find warranty and regulatory information

---

## 2 Paper trays

- [Configure trays for paper type and size](#)
- [Load Tray 1](#)
- [Load Tray 2 and Tray 3](#)
- [Load Tray 4 and Tray 5](#)
- [Configure the default staple location](#)
- [Configure the default hole punch location](#)

### For more information:

In the US, go to [www.hp.com/support/ljM806](http://www.hp.com/support/ljM806).

Outside the US, go to [www.hp.com/support](http://www.hp.com/support). Select your country/region. Click **Product Support & Troubleshooting**. Enter the product name, and then select **Search**.

HP's all-inclusive help for your product includes the following information:

- Install and configure
- Learn and use
- Solve problems
- Download software updates
- Join support forums
- Find warranty and regulatory information

## Configure trays for paper type and size

The product automatically prompts you to configure a tray for type and size in the following situations:

- When you load paper into the tray
- When you specify a particular tray or paper type for a print job through the print driver or a software program and the tray is not configured to match the print-job's settings



**NOTE:** The prompt does not display if you are printing from Tray 1, and Tray 1 is configured for the [Any Size](#) paper size and the [Any Type](#) paper type settings. In this situation, if the print job does not specify a tray, the product prints from Tray 1, even if the paper type and size settings in the print job do not match the paper loaded in Tray 1.

### Configure a tray when loading paper

1. Load paper in the tray.
2. The tray configuration message displays on the product control panel.
3. Touch the **OK** button to accept the detected type and size, or touch the **Modify** button to choose a different paper size or type.
4. Select the correct type and size, and then touch the **OK** button.

### Configure a tray to match print job settings

1. In the software program, specify the source tray, the paper size, and the paper type.
2. Send the job to the product.

If the tray needs to be configured, a tray configuration message displays on the product control panel.

3. Load the tray with the specified type and size of paper, and then close the tray.
4. Touch the **OK** button to accept the detected type and size, or touch the **Modify** button to choose a different paper size or type.
5. Select the correct type and size, and then touch the **OK** button.

### Configure a tray by using the control panel

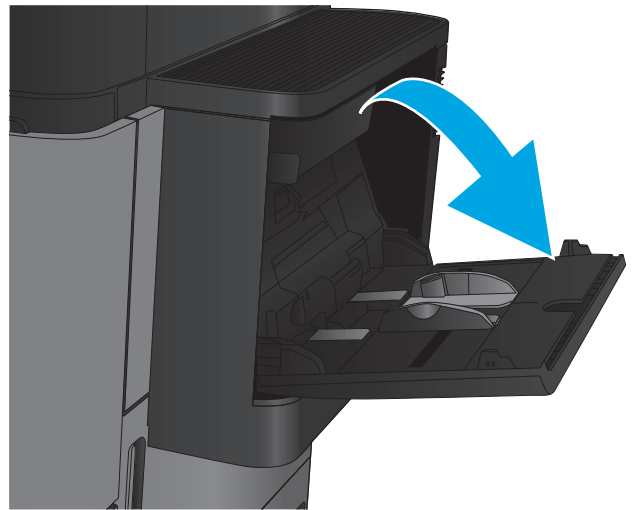
You can also configure the trays for type and size without a prompt from the product.

1. From the Home screen on the product control panel, scroll to and touch the **Trays** button.
2. Touch the line for the tray that you want to configure, and then touch the **Modify** button.
3. Select the paper type and size from the lists of options.
4. Touch the **OK** button to save your selection.

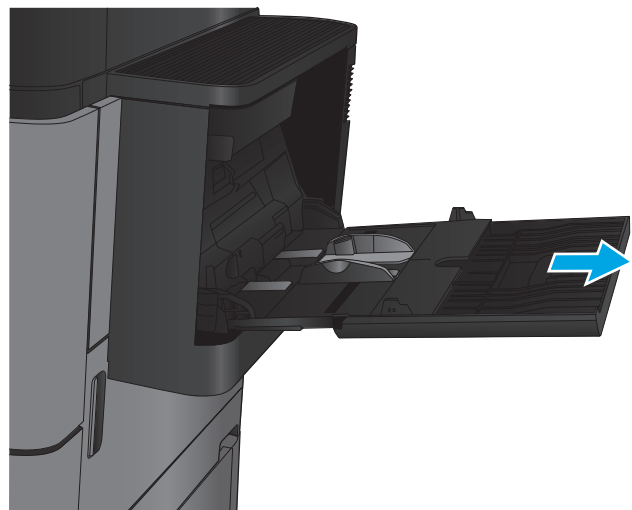
# Load Tray 1

**CAUTION:** To avoid jams, never add or remove paper from Tray 1 during printing.

1. Open Tray 1.



2. Pull out the tray extension to support the paper.

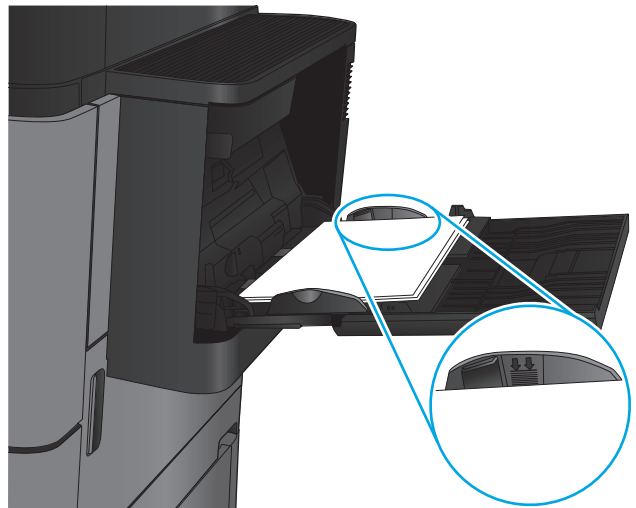


3. Load paper in the tray. See [Table 2-1 Tray 1 paper orientation on page 16](#).

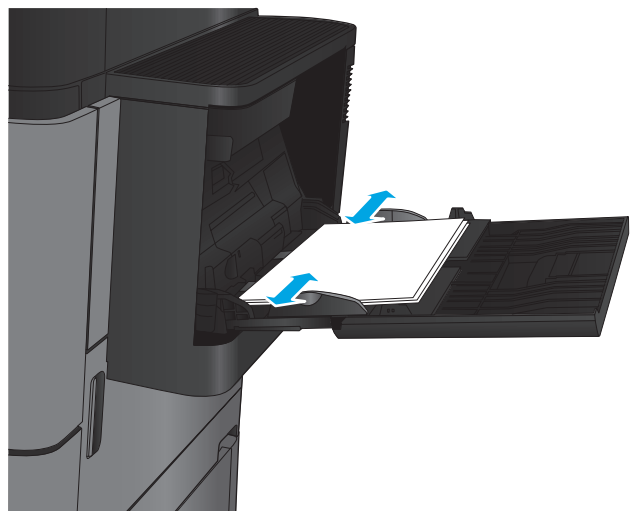
**TIP:** To achieve the highest print-quality, HP recommends that you load the paper long-edge first.



- 4. Make sure that the paper fits under the fill line on the paper guides.

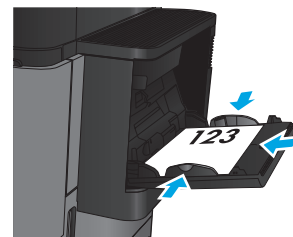


- 5. Adjust the side guides so that they lightly touch the paper stack, but do not bend it.



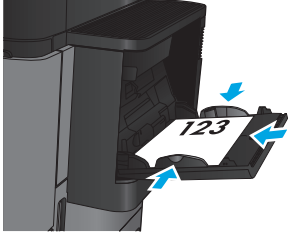
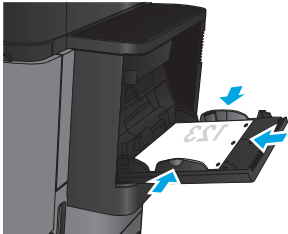
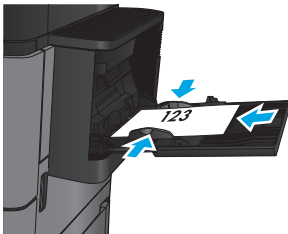
**Table 2-1 Tray 1 paper orientation**

Paper type	Image orientation	Duplex mode	How to load paper
Preprinted, letterhead, or labels	Portrait	1-sided printing	Face-up Top edge toward the back of the product

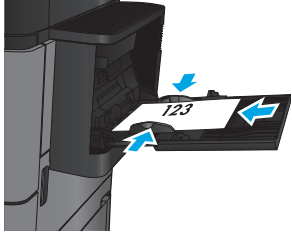
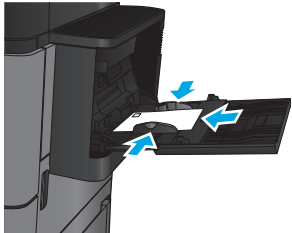





**Table 2-1 Tray 1 paper orientation (continued)**

Paper type	Image orientation	Duplex mode	How to load paper
		Automatic 2-sided printing	<p>Face-up</p> <p>Top edge toward the back of the product</p> 
Prepunched	Portrait	1-sided printing	<p>Face-down</p> <p>Holes towards the right of the tray</p> 
Preprinted or letterhead	Landscape	1-sided printing	<p>Face-up</p> <p>Top edge toward the back of the product</p> 

**Table 2-1 Tray 1 paper orientation (continued)**

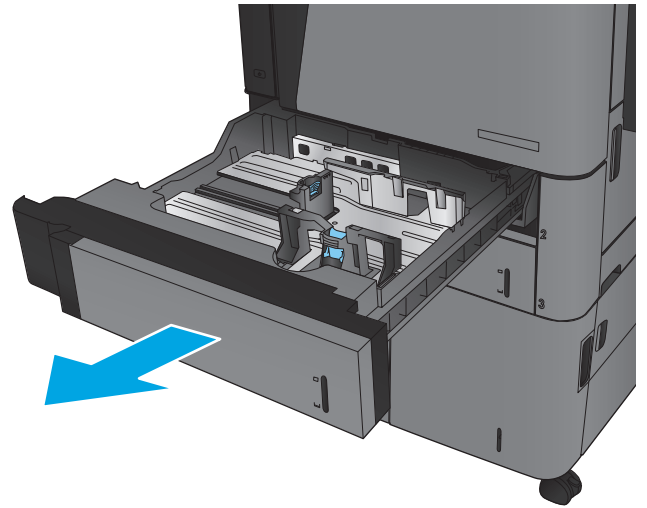
Paper type	Image orientation	Duplex mode	How to load paper
		Automatic 2-sided printing	Face-up Top edge toward the back of the product
			
Envelopes	Short edge of the envelope feeding into the product	1-sided printing	Face-up Top edge toward the back of the product
			

## Load Tray 2 and Tray 3

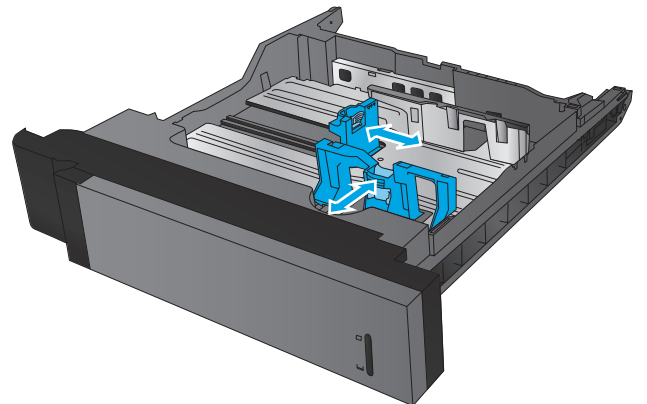
 **NOTE:** The procedure to load paper for Tray 3 is the same as for Tray 2. Only Tray 2 is shown here.

1. Open the tray.

**NOTE:** Do not open this tray while it is in use.



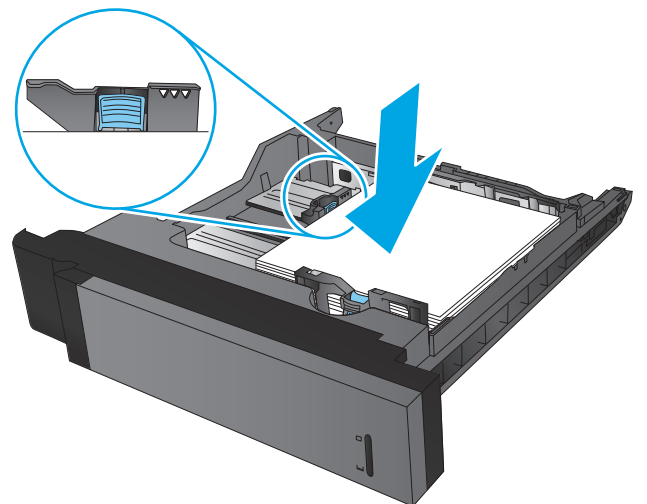
2. Adjust the paper-length and paper-width guides by squeezing the adjustment latches and sliding the guides to the size of the paper being used.



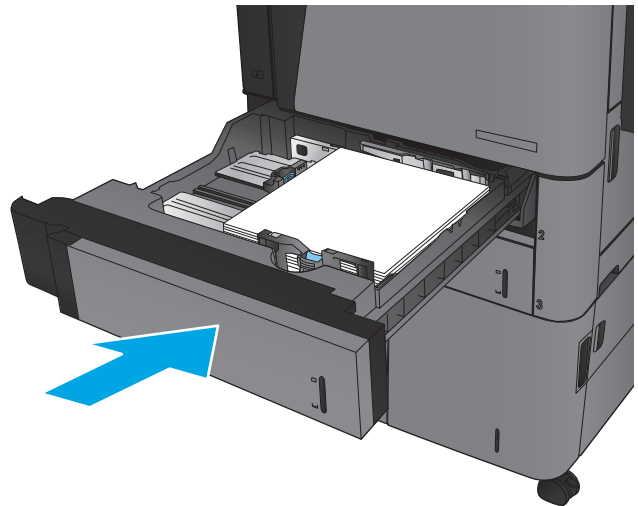
3. Load paper into the tray. Check the paper to verify the guides lightly touch the stack, but do not bend it.

**NOTE:** To prevent jams, do not overfill the tray. Be sure that the top of the stack is below the tray full indicator.

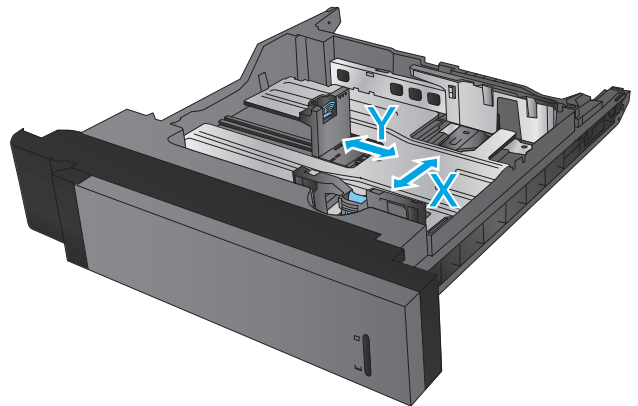
**NOTE:** If the tray is not adjusted correctly, an error message might appear during printing or the paper might jam.



4. Close the tray.

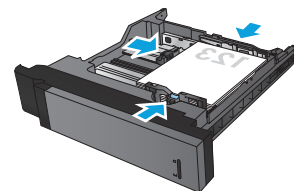


5. The control panel shows the tray's paper type and size. If the configuration is not correct, follow the instructions on the control panel to change the type or size.
6. For custom-size paper, you need to specify the X and Y dimensions for the paper when the prompt displays on the product control panel.

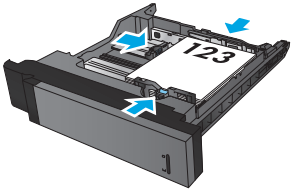
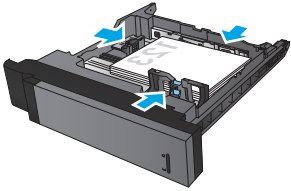
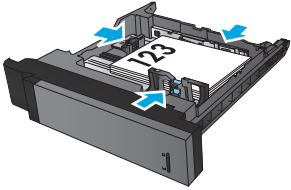


**Table 2-2 Tray 2 and Tray 3 paper orientation**

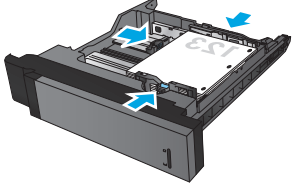
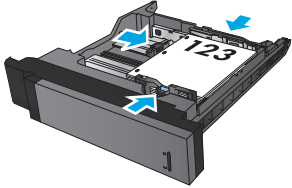
Paper type	Image orientation	Duplex mode	How to load paper
Preprinted or letterhead	Portrait	1-sided printing	Face-down Top edge at the back of the tray



**Table 2-2 Tray 2 and Tray 3 paper orientation (continued)**

Paper type	Image orientation	Duplex mode	How to load paper
		Automatic 2-sided printing	Face-up Top edge at the back of the tray
			
	Landscape	1-sided printing	Face-down Bottom edge toward the right side of the tray
			
		Automatic 2-sided printing	Face-up Bottom edge toward the right side of the tray
			

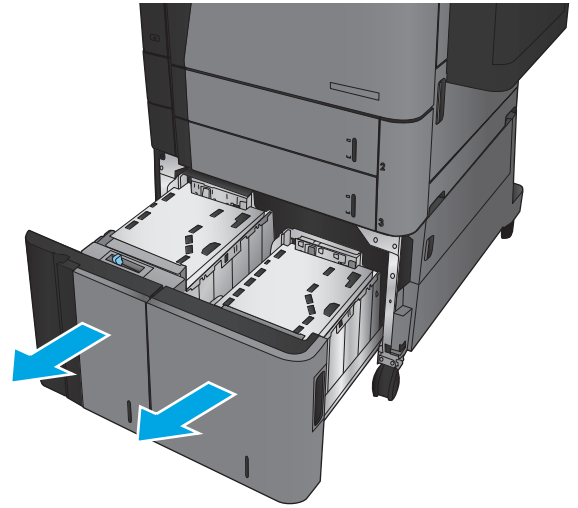
**Table 2-2 Tray 2 and Tray 3 paper orientation (continued)**

Paper type	Image orientation	Duplex mode	How to load paper
Prepunched	Portrait	1-sided printing	Holes toward the right side of the tray
			
		Automatic 2-sided printing	Holes toward the left side of the tray
			

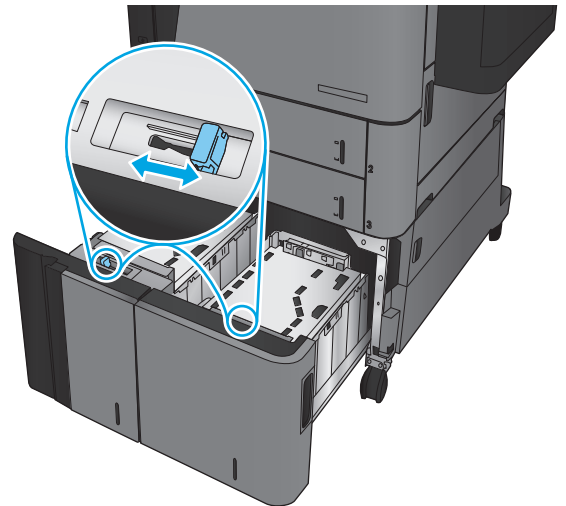
## Load Tray 4 and Tray 5

Tray 4 and Tray 5 support only A4 and Letter-size paper.

1. Open the right and left sides of the tray.

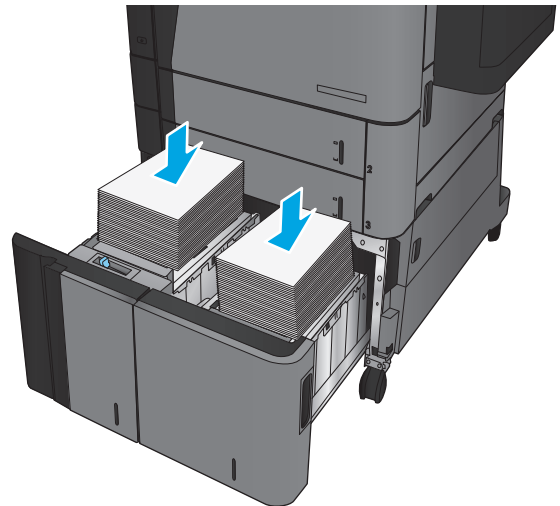


2. On each side, adjust the paper-size lever to the correct position for the paper you are using.

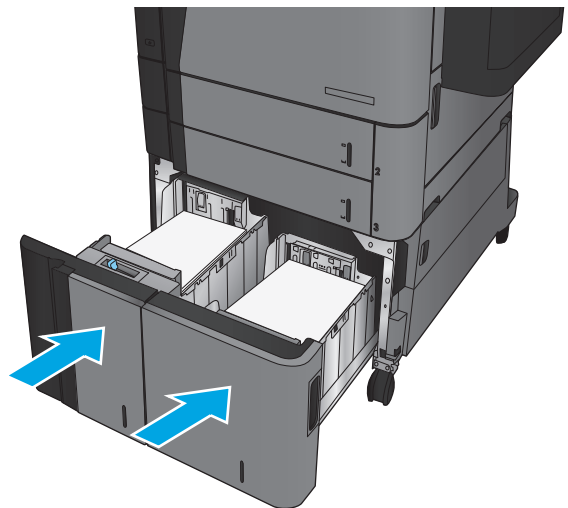


3. Load full reams of paper into each side of the tray. The right side holds 1,500 sheets of paper. The left side holds 2,000 sheets of paper.

**NOTE:** For best results, load full reams of paper. Avoid dividing reams into smaller sections.



4. Close the right and left sides of the tray.





## Configure the default staple location

1. From the Home screen on the product control panel, scroll to and touch the [Administration](#) button.
2. Open the following menus:
  - [Stapler/Stacker Settings](#)
  - [Stapling](#)
3. Select a staple location from the list of options, and then touch the [Save](#) button. The following options are available:
  - [None](#)
  - [Top left](#)
  - [Top right](#)
  - [Two left](#)
  - [Two right](#)
  - [Two top](#)
  - [Two top or left](#)



**NOTE:** For documents with portrait orientation, the staples are on the left. For documents with landscape orientation, the staples are on the top.

## Configure the default hole punch location

1. From the Home screen on the product control panel, scroll to and touch the [Administration](#) button.
2. Open the following menus:
  - [Stapler/Stacker Settings](#)
  - [Hole Punching](#)
3. Select a hole punch location from the list of options, and then touch the [Save](#) button. The following options are available:
  - [None](#)
  - [Two left or top](#)
  - [Two left](#)
  - [Top right](#)
  - [Two top](#)
  - [Two bottom](#)
  - [Three left](#)
  - [Three right](#)

- Three top
- Three bottom



---

**NOTE:** For documents with portrait orientation, the holes are on the left. For documents with landscape orientation, the holes are on the top.

---

---

## 3 Parts, supplies, and accessories

- [Order parts, accessories, and supplies](#)
- [Replace the toner cartridge](#)

### For more information:

In the US, go to [www.hp.com/support/ljM806](http://www.hp.com/support/ljM806).

Outside the US, go to [www.hp.com/support](http://www.hp.com/support). Select your country/region. Click **Product Support & Troubleshooting**. Enter the product name, and then select **Search**.

HP's all-inclusive help for your product includes the following information:

- Install and configure
- Learn and use
- Solve problems
- Download software updates
- Join support forums
- Find warranty and regulatory information

# Order parts, accessories, and supplies

## Ordering

Order supplies and paper	<a href="http://www.hp.com/go/suresupply">www.hp.com/go/suresupply</a>
Order genuine HP parts or accessories	<a href="http://www.hp.com/buy/parts">www.hp.com/buy/parts</a>
Order through service or support providers	Contact an HP-authorized service or support provider.
Order using the HP Embedded Web Server (EWS)	To access, in a supported Web browser on your computer, enter the product IP address or host name in the address/URL field. The EWS contains a link to the HP SureSupply Web site, which provides options for purchasing Original HP supplies.

## Parts and supplies

The following parts are available for the product.

- Parts listed as **Mandatory** self-replacement are to be installed by customers, unless you are willing to pay HP service personnel to perform the repair. For these parts, on-site or return-to-depot support is not provided under the HP product warranty.
- Parts listed as **Optional** self-replacement can be installed by HP service personnel at your request for no additional charge during the product warranty period.

Item	Description	Self-replacement options	Part number
Maintenance Kit 110V	Preventive maintenance kit that includes the following items: <ul style="list-style-type: none"><li>• Replacement 110 Volt fuser</li><li>• Replacement transfer roller</li><li>• Replacement pickup, feed, and separation rollers for Tray 2 and Tray 3</li><li>• Replacement pickup and feed rollers for the High-capacity input feeder (Tray 4 and Tray 5)</li></ul>	Mandatory	C2H67A
Maintenance Kit 220V	Preventive maintenance kit that includes the following items: <ul style="list-style-type: none"><li>• Replacement 220 Volt fuser</li><li>• Replacement transfer roller</li><li>• Replacement pickup, feed, and separation rollers for Tray 2 and Tray 3</li><li>• Replacement pickup and feed rollers for the High-capacity input feeder (Tray 4 and Tray 5)</li></ul>	Mandatory	C2H57A

<b>Item</b>	<b>Description</b>	<b>Self-replacement options</b>	<b>Part number</b>
Tray 2-5 Roller Kit	Replacement pickup and feed rollers that fit Trays 2, 3, 4, and 5 (order one kit for each tray)	Mandatory	CF367-67903
Tray 1 roller kit	Replacement pickup and feed rollers for Tray 1	Mandatory	CF367-67904
110V Fuser Kit	Replacement 110 Volt fuser	Mandatory	CF367-67905
220V Fuser Kit	Replacement 220 Volt fuser	Mandatory	CF367-67906
Transfer Roller Kit	Replacement transfer roller	Mandatory	CF367-67907
HCI Kit	Replacement high-capacity input feeder and stand	Mandatory	C3F79-37901
Stapler/Stacker Kit	Replacement Stapler/Stacker finishing accessory	Mandatory	CZ994-67901
Stapler/Stacker 2/3 Hole Punch Kit	Replacement Stapler/Stacker with Hole Punch finishing accessory, 2 or 3 hole version for countries/regions that use imperial measurements	Mandatory	CZ995-67901
Stapler/Stacker 2/4 Hole Punch Kit	Replacement Stapler/Stacker with Hole Punch finishing accessory, 2 or 4 hole version for countries/regions that use metric measurements	Mandatory	CZ996-67901
Booklet Maker Kit	Replacement Booklet Maker finishing accessory	Mandatory	CZ285-67901
Limiters, Torque Kit	Replacement separation-roller torque limiter for Tray 2 or Tray 3 (order one kit for each tray)	Mandatory	CF367-67908
Staple Cartridge Refill Kit	Replacement staple cartridge for Stapler 1 in the Stapler/Stacker, Stapler/Stacker with Hole Punch, or the Booklet Maker	Mandatory	C8091A
2000-Staple Cartridge Kit (2-pack)	Replacement set of staple cartridges for Stapler 2 and 3 in the Booklet Maker	Mandatory	CC383A
Black Toner Cartridge	Replacement high-capacity toner cartridge	Mandatory	CF325X
USB Wireless Print Server Kit	Replacement HP Jetdirect ew2500 wireless print server	Mandatory	J8026-67901
512 MB DIMM Kit	Replacement 512 MB DIMM	Mandatory	CF306-67901
Control Panel Assembly Kit	Replacement control-panel assembly	Mandatory	CZ245-67901
Formatter Kit	Replacement formatter	Mandatory	CF367-67912
HDD Replacement Kit	Replacement hard disk drive	Optional	CF367-67913

## Accessories

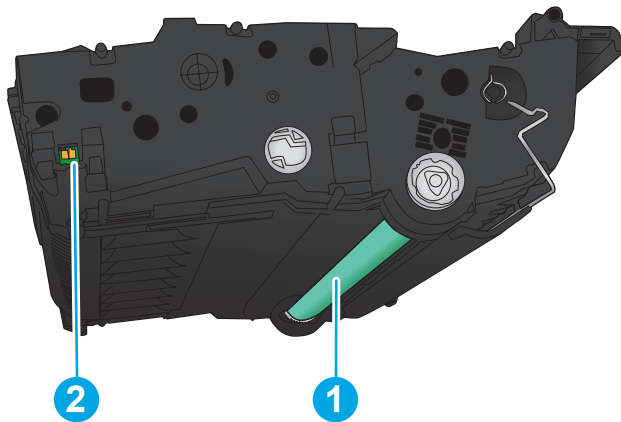
Item	Description	Part number
HP LaserJet Stapler/Stacker	Stapler/stacker finishing accessory	CZ994A
HP LaserJet Stapler/Stacker with 2/3 hole punch	Stapler/stacker with hole punch finishing accessory for countries/regions that use imperial measurements	CZ995A
HP LaserJet Stapler/Stacker with 2/4 hole punch	Stapler/stacker with hole punch finishing accessory for countries/regions that use metric measurements	CZ996A
HP LaserJet Booklet Maker/Finisher	Booklet maker finishing accessory	CZ285A
HP LaserJet 3,500-sheet High-Capacity Input Feeder and Stand	Optional tray to increase paper capacity	C3F79A
HP Jetdirect ew2500 Wireless Print Server	USB wireless print server	J8026A
HP Jetdirect 2800w NFC & Wireless Direct Accessory	Wireless direct accessory for “touch” printing from mobile devices	J8029A
HP 1GB DIMM	Optional memory module	CF306AX

# Replace the toner cartridge

When a toner cartridge approaches the end of useful life, you are prompted to order a replacement. You can continue printing with the current cartridge until redistributing the toner no longer yields acceptable print quality.

The following illustration shows the toner-cartridge components.

**Figure 3-1** Toner cartridge components, back view



---

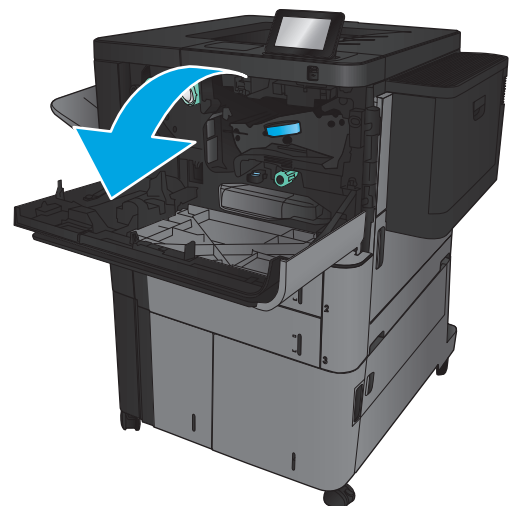
1	Imaging drum
<b>CAUTION:</b> Do not touch the green roller. Doing so can damage the cartridge.	
2	Memory chip

---

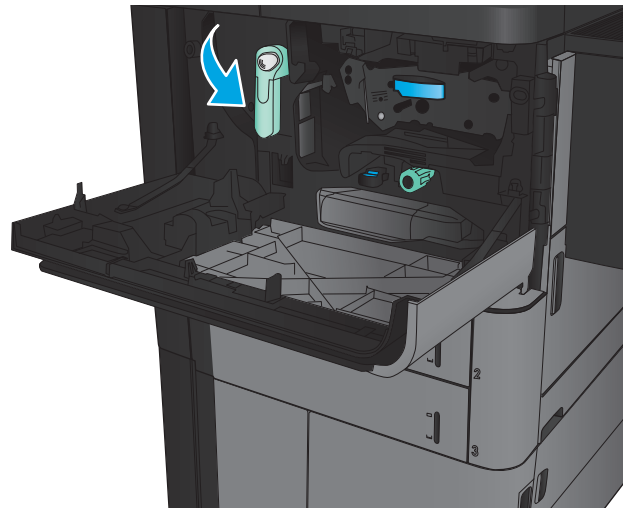
**CAUTION:** If toner gets on clothing, wipe it off by using a dry cloth and wash the clothes in cold water. Hot water sets toner into fabric.

**NOTE:** Information about recycling used toner cartridges is on the toner cartridge box.

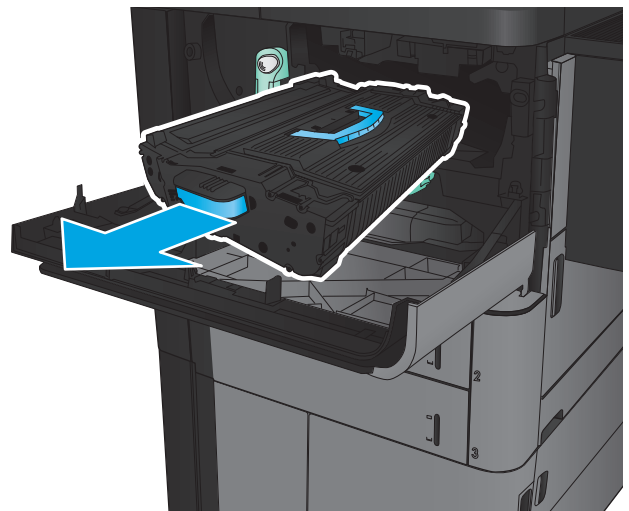
1. Open the front door. Make sure that the door is completely open.



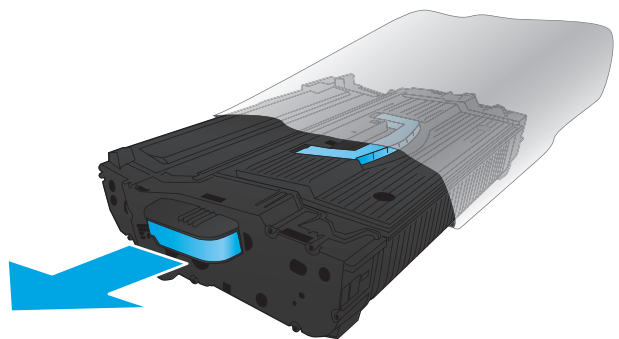
2. Push the button on the lever, and then rotate the toner-cartridge lever to the down position.



3. Grasp the handle of the used toner cartridge and pull out to remove it.

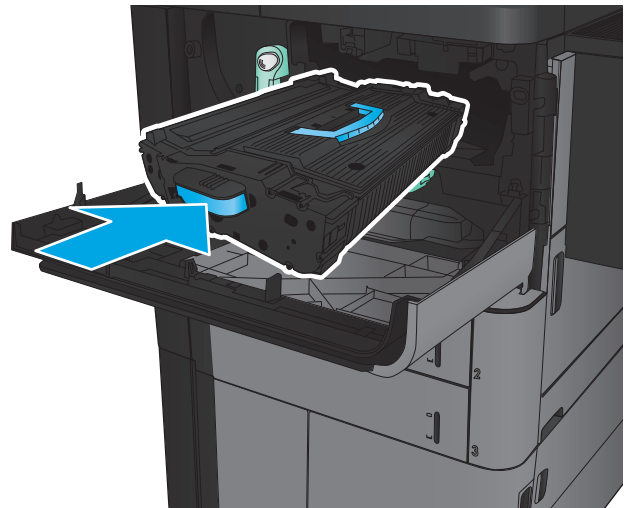


4. Remove the new toner cartridge from its protective bag.

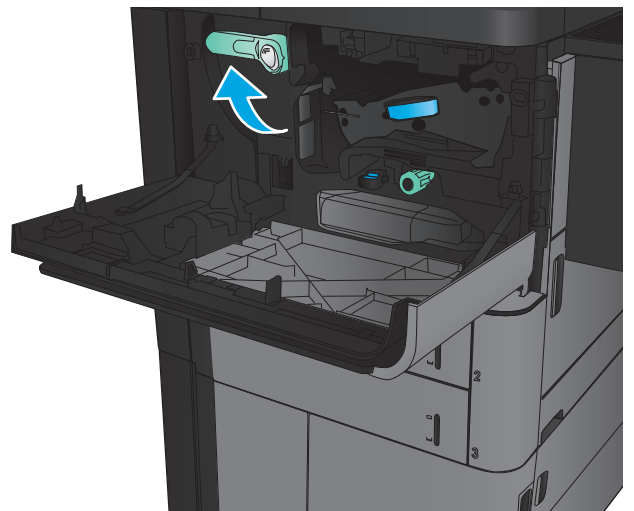




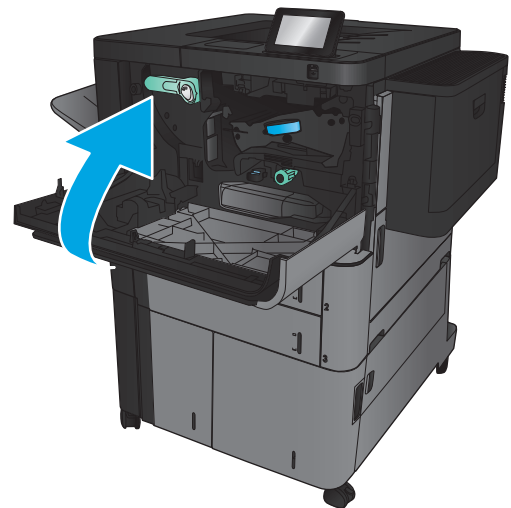
5. Align the toner cartridge with its slot, and then insert the toner cartridge into the product. The toner cartridge will drop slightly when it is in place.



6. Push the button on the lever, and then rotate the toner-cartridge lever to the up position.



7. Close the front door.





---

# 4 Print

- [Print tasks \(Windows\)](#)
- [Print tasks \(Mac OS X\)](#)
- [Store print jobs on the product](#)
- [Mobile printing](#)
- [Print from the USB port](#)

## For more information:

In the US, go to [www.hp.com/support/ljM806](http://www.hp.com/support/ljM806).

Outside the US, go to [www.hp.com/support](http://www.hp.com/support). Select your country/region. Click **Product Support & Troubleshooting**. Enter the product name, and then select **Search**.

HP's all-inclusive help for your product includes the following information:

- Install and configure
- Learn and use
- Solve problems
- Download software updates
- Join support forums
- Find warranty and regulatory information


# Print tasks (Windows)

## How to print (Windows)

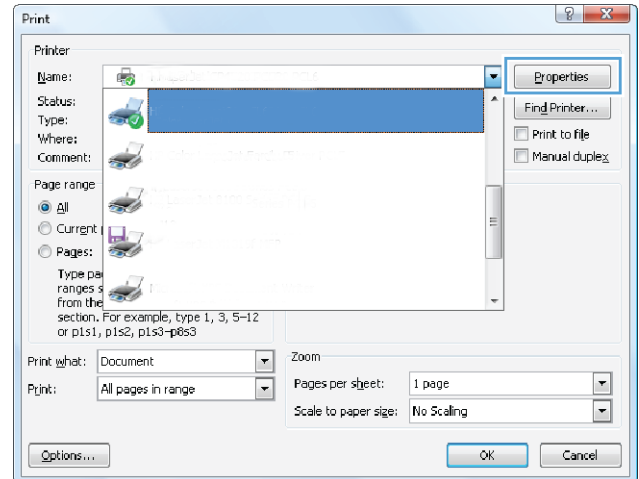
The following procedure describes the basic printing process for Windows.

1. From the software program, select the **Print** option.
2. Select the product from the list of printers, and then select **Properties** or **Preferences** (the name varies for different software programs).
3. Click or tap the tabs in the print driver to configure the available options.
4. Click or tap the **OK** button to return to the **Print** dialog box. Select the number of copies to print from this screen.
5. Click or tap the **OK** button to print the job.

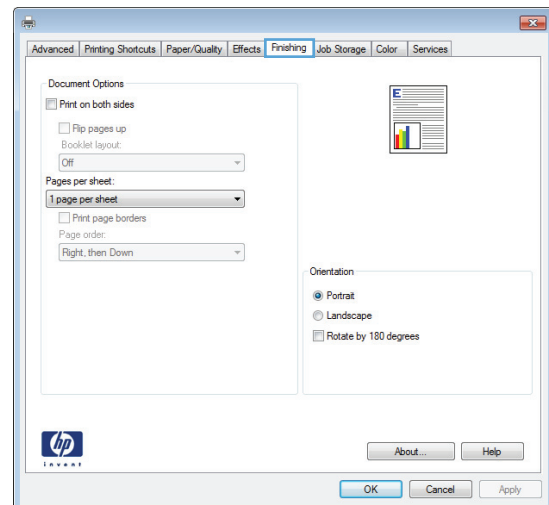
## Automatically print on both sides (Windows)

 **NOTE:** Your print driver might look different than what is shown here, but the steps are the same.

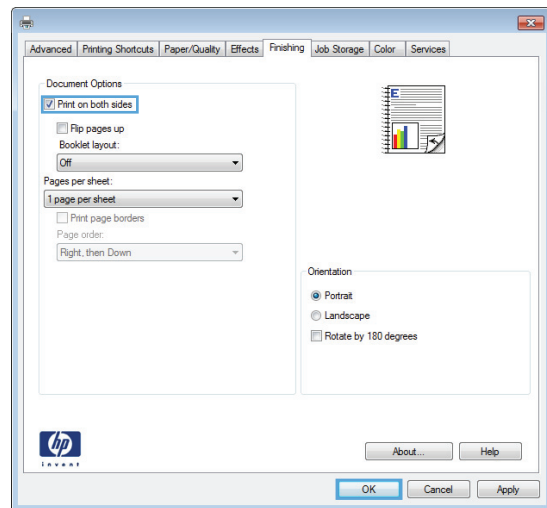
1. From the software program, select the **Print** option.
2. Select the product from the list of printers, and then select **Properties** or **Preferences** (the name varies for different software programs).



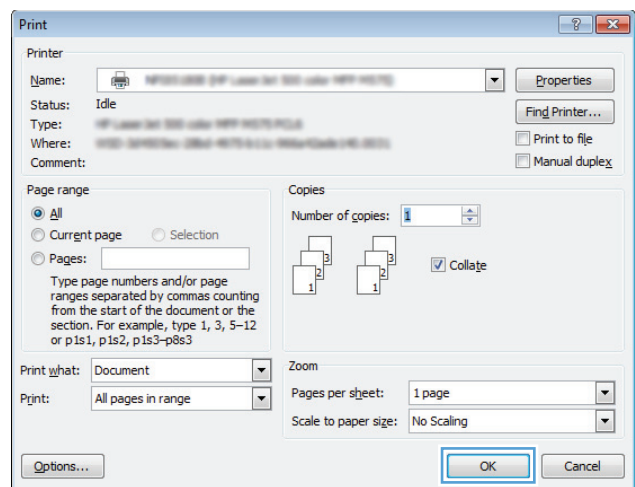
3. Click the **Finishing** tab.




4. Select the **Print on both sides** check box. Click the **OK** button to close the **Document Properties** dialog box.



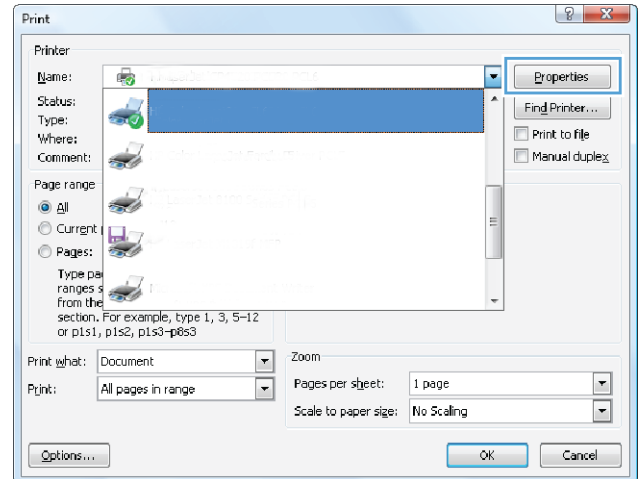
5. In the **Print** dialog box, click the **OK** button to print the job.



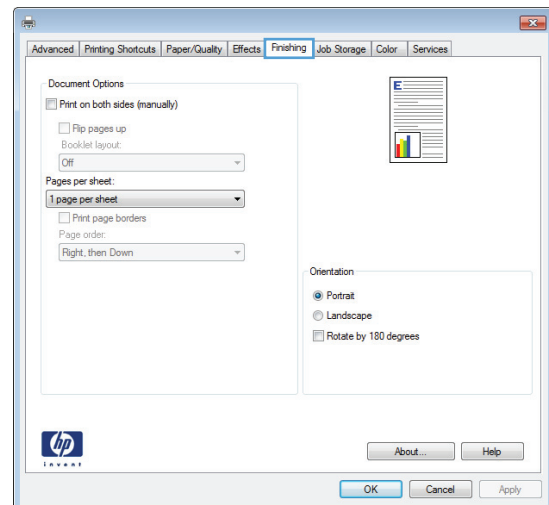
## Manually print on both sides (Windows)

 **NOTE:** Your print driver might look different than what is shown here, but the steps are the same.

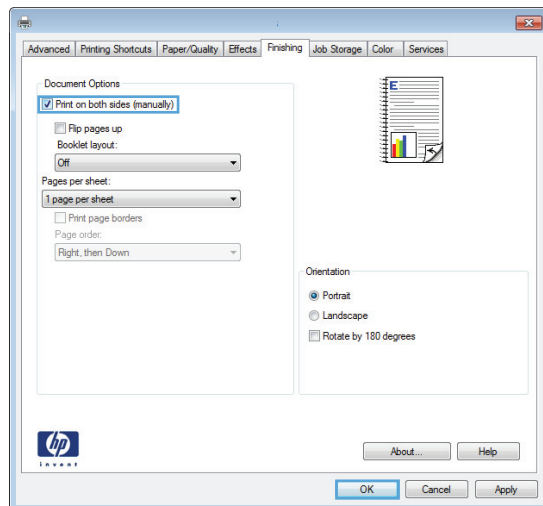
1. From the software program, select the **Print** option.
2. Select the product from the list of printers, and then select **Properties** or **Preferences** (the name varies for different software programs).



3. Click the **Finishing** tab.



4. Select the **Print on both sides** check box. Click the **OK** button to print the first side of the job.



5. Retrieve the printed stack from the output bin, and then place it with the printed-side facing up in Tray 1.
6. If prompted, touch the appropriate control panel button to continue.

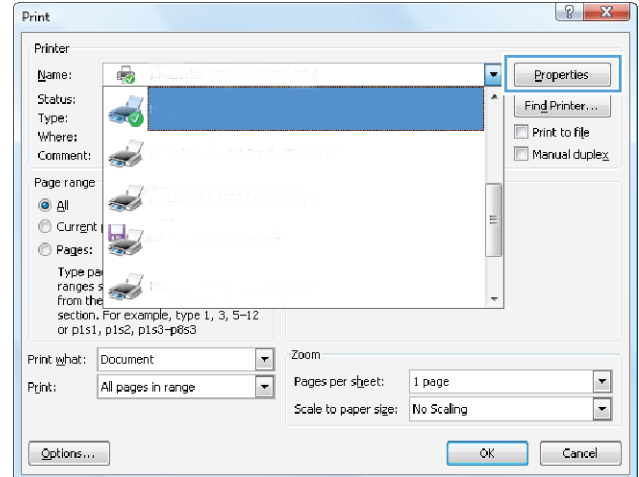


## Print multiple pages per sheet (Windows)

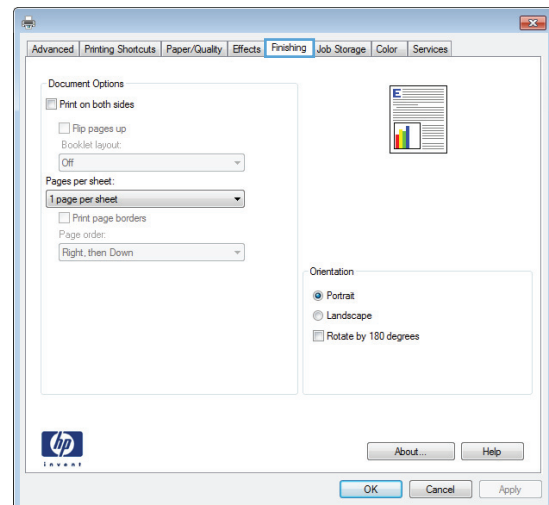


**NOTE:** Your print driver might look different than what is shown here, but the steps are the same.

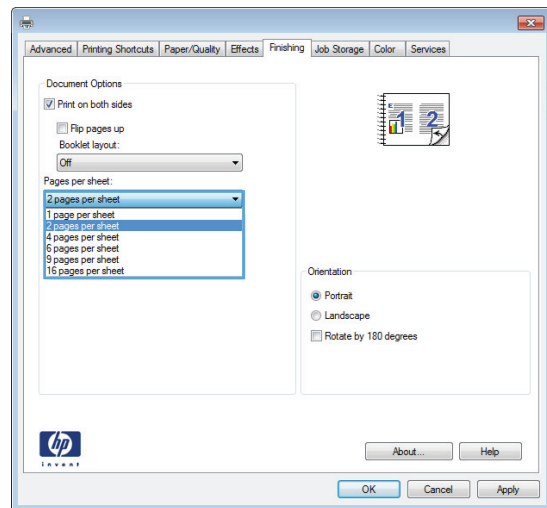
1. From the software program, select the **Print** option.
2. Select the product from the list of printers, and then select **Properties** or **Preferences** (the name varies for different software programs).



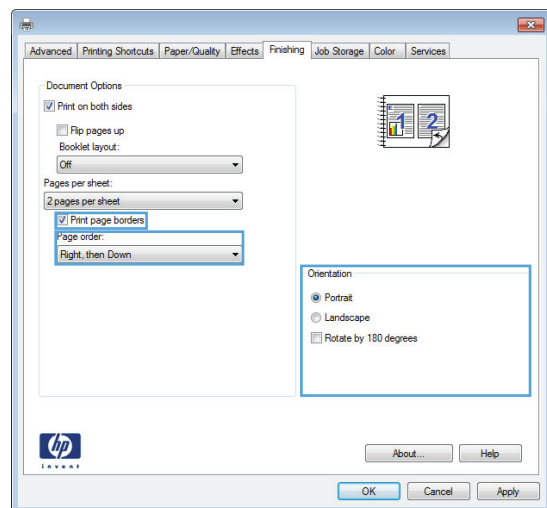
3. Click the **Finishing** tab.



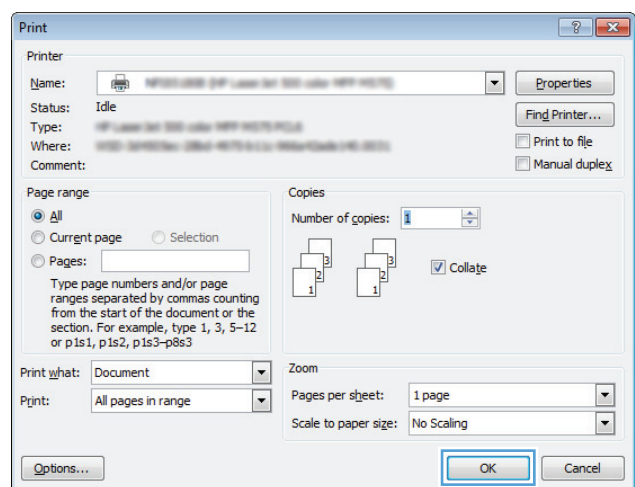
- Select the number of pages per sheet from the **Pages per sheet** drop-down list.




- Select the correct **Print page borders**, **Page order**, and **Orientation** options. Click the **OK** button to close the **Document Properties** dialog box.



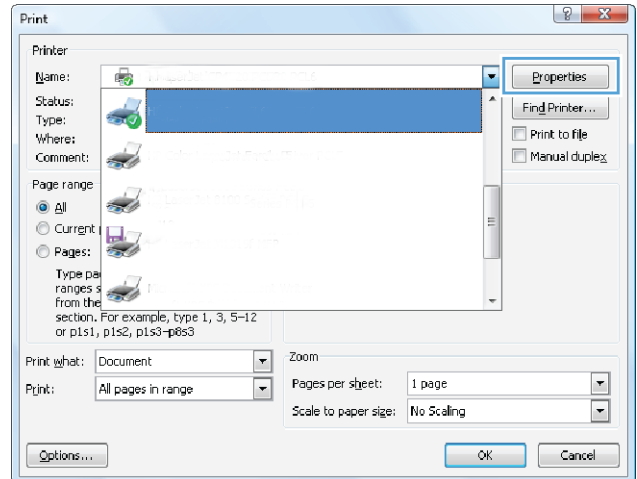
- In the **Print** dialog box, click the **OK** button to print the job.



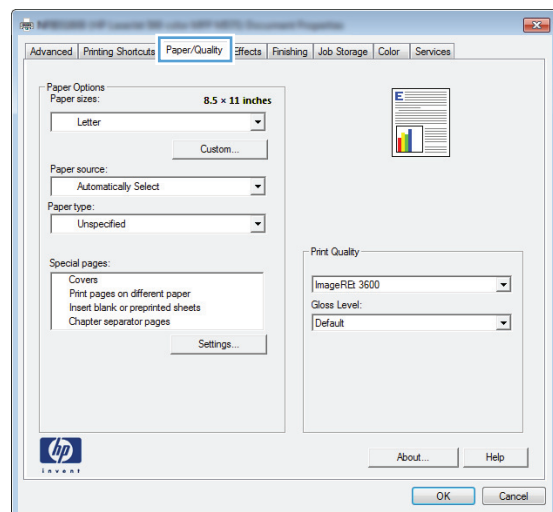
## Select the paper type (Windows)

 **NOTE:** Your print driver might look different than what is shown here, but the steps are the same.

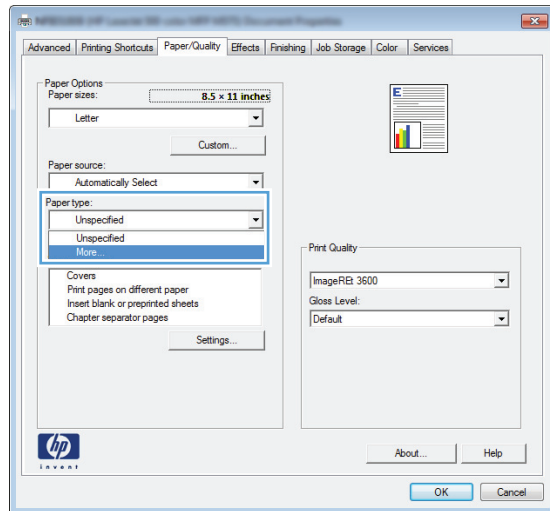
1. From the software program, select the **Print** option.
2. Select the product from the list of printers, and then select **Properties** or **Preferences** (the name varies for different software programs).



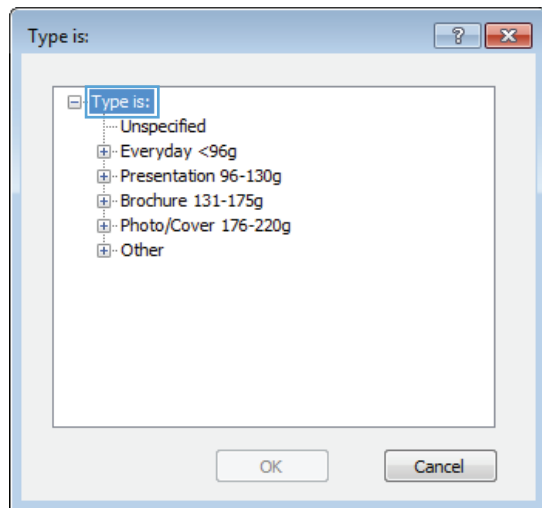
3. Click the **Paper/Quality** tab.



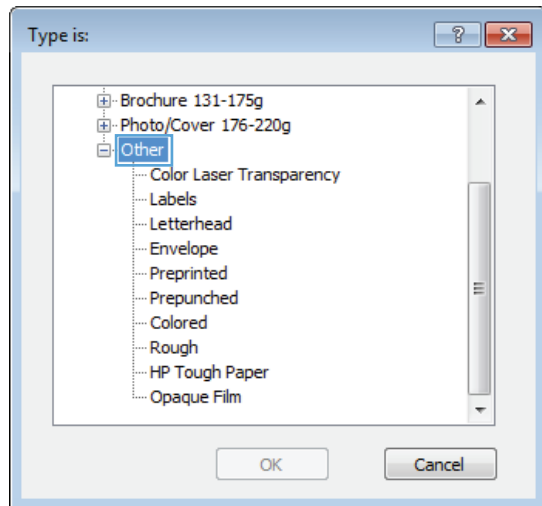
- 4. From the **Paper type** drop-down list, click the **More...** option.



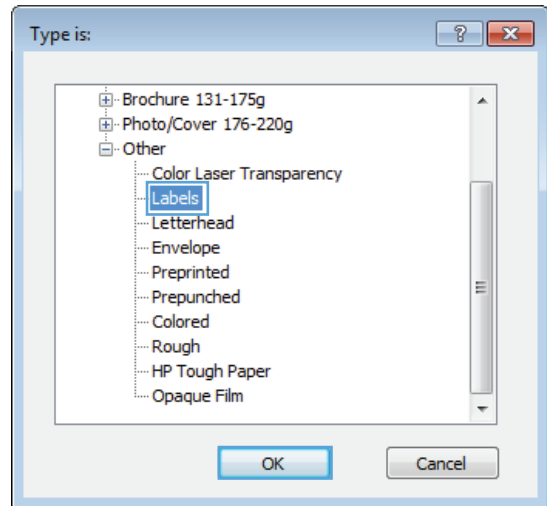
- 5. Expand the list of **Type is:** options.



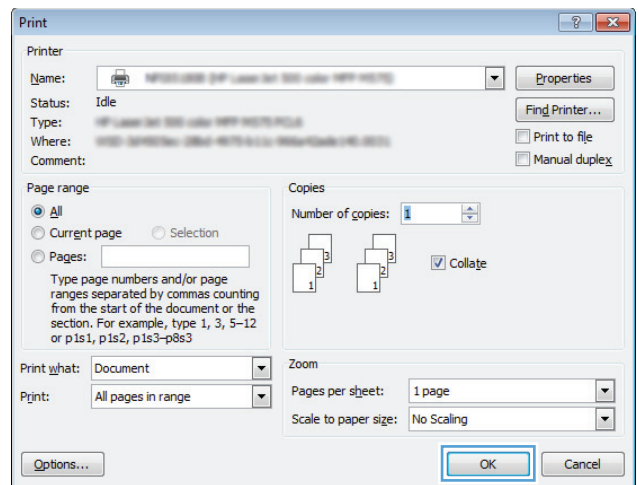
- 6. Expand the category of paper types that best describes your paper.



7. Select the option for the type of paper you are using, and then click the **OK** button.



8. Click the **OK** button to close the **Document Properties** dialog box. In the **Print** dialog box, click the **OK** button to print the job.



# Print tasks (Mac OS X)

## How to print (Mac OS X)

The following procedure describes the basic printing process for Mac OS X.

1. Click the **File** menu, and then click the **Print** option.
2. In the **Printer** menu, select the product.
3. Open the menus drop-down list or click **Show Details**, and then select other menus to adjust the print settings.
4. Click the **Print** button.

## Automatically print on both sides (Mac OS X)



**NOTE:** This feature is available if you install the HP print driver. It might not be available if you are using AirPrint.

1. Click the **File** menu, and then click the **Print** option.
2. In the **Printer** menu, select the product.
3. Open the menus drop-down list or click **Show Details**, and then click the **Layout** menu.
4. Select a binding option from the **Two-Sided** drop-down list.
5. Click the **Print** button.

## Manually print on both sides (Mac OS X)



**NOTE:** This feature is available if you install the HP print driver. It might not be available if you are using AirPrint.

1. Click the **File** menu, and then click the **Print** option.
2. In the **Printer** menu, select this product.
3. Open the menus drop-down list or click **Show Details**, and then click the **Manual Duplex** menu.
4. Click the **Manual Duplex** box, and select a binding option.
5. Click the **Print** button.
6. Go to the product, and remove any blank paper that is in Tray 1.
7. Retrieve the printed stack from the output bin and place it with the printed-side facing down in the input tray.
8. If prompted, touch the appropriate control panel button to continue.

## Print multiple pages per sheet (Mac OS X)

1. Click the **File** menu, and then click the **Print** option.
2. In the **Printer** menu, select the product.

3. Open the menus drop-down list or click **Show Details**, and then click the **Layout** menu.
4. From the **Pages per Sheet** drop-down list, select the number of pages that you want to print on each sheet.
5. In the **Layout Direction** area, select the order and placement of the pages on the sheet.
6. From the **Borders** menu, select the type of border to print around each page on the sheet.
7. Click the **Print** button.


### Select the paper type (Mac OS X)

1. Click the **File** menu, and then click the **Print** option.
2. In the **Printer** menu, select the product.
3. Open the menus drop-down list or click **Show Details**, and then click the **Finishing** menu.
4. Select a type from the **Media-type** drop-down list.
5. Click the **Print** button.

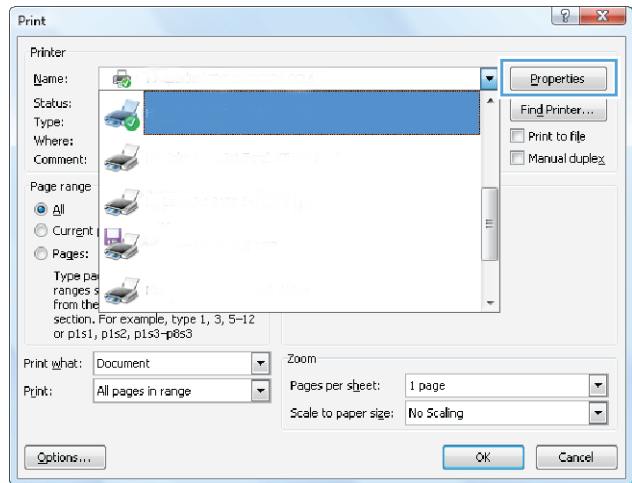
# Store print jobs on the product

## Create a stored job (Windows)

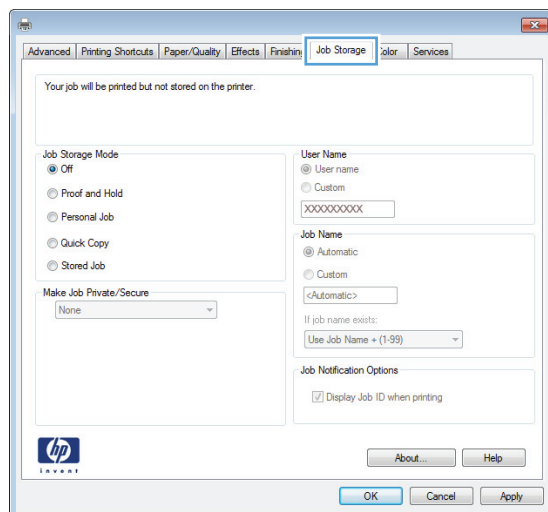
You can store jobs on the product so you can print them at any time.

 **NOTE:** Your print driver might look different than what is shown here, but the steps are the same.

1. From the software program, select the **Print** option.
2. Select the product from the list of printers, and then select **Properties** or **Preferences** (the name varies for different software programs).



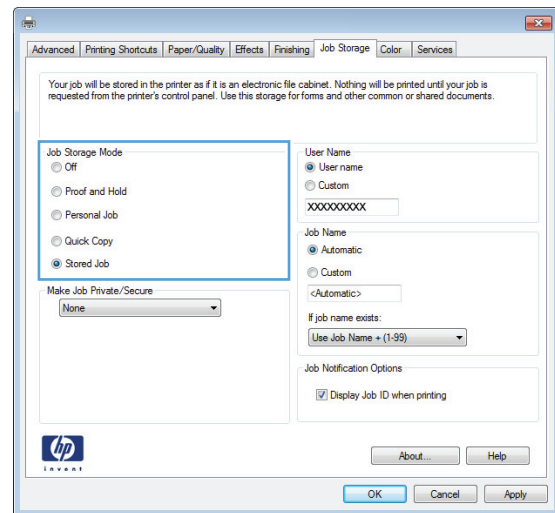
3. Click the **Job Storage** tab.





#### 4. Select a **Job Storage Mode** option.

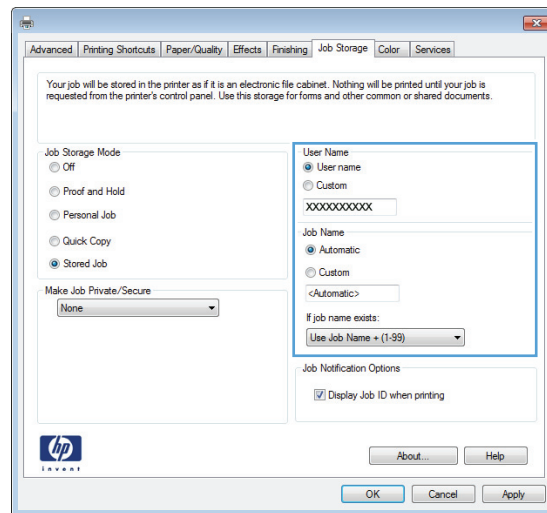
- **Proof and Hold:** Print and proof one copy of a job, and then print more copies.
- **Personal Job:** The job does not print until you request it at the product control panel. For this job-storage mode, you can select one of the **Make Job Private/Secure** options. If you assign a personal identification number (PIN) to the job, you must provide the required PIN at the control panel. If you encrypt the job, you must provide the required password at the control panel.
- **Quick Copy:** Print the requested number of copies of a job and store a copy of the job in the product memory so you can print it again later.
- **Stored Job:** Store a job on the product and allow other users to print the job at any time. For this job-storage mode, you can select one of the **Make Job Private/Secure** options. If you assign a personal identification number (PIN) to the job, the person who prints the job must provide the required PIN at the control panel. If you encrypt the job, the person who prints the job must provide the required password at the control panel.



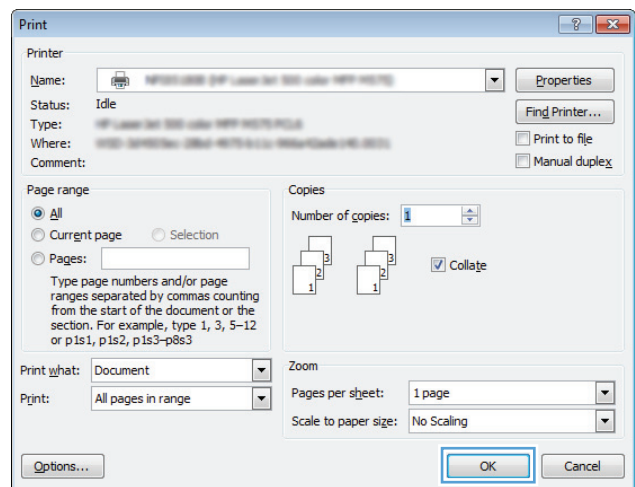
- To use a custom user name or job name, click the **Custom** button, and then enter the user name or the job name.

Select which option to use if another stored job already has that name:

- **Use Job Name + (1-99):** Append a unique number to the end of the job name.
- **Replace Existing File:** Overwrite the existing stored job with the new one.



- Click the **OK** button to close the **Document Properties** dialog box. In the **Print** dialog box, click the **OK** button to print the job.



## Create a stored job (Mac OS X)


You can store jobs on the product so you can print them at any time.

- Click the **File** menu, and then click the **Print** option.
- In the **Printer** menu, select the product.
- By default, the print driver displays the **Copies & Pages** menu. Open the menu drop-down list, and then click the **Job Storage** menu.
- In the **Mode** drop-down list, select the type of stored job.
  - **Proof and Hold:** Print and proof one copy of a job, and then print more copies.
  - **Personal Job:** The job does not print until you request it at the product control panel. If you assign a personal identification number (PIN) to the job, you must provide the required PIN at the control panel.

- **Quick Copy:** Print the requested number of copies of a job and store a copy of the job in the product memory so you can print it again later.
  - **Stored Job:** Store a job on the product and allow other users to print the job at any time. If you assign a personal identification number (PIN) to the job, the person who prints the job must provide the required PIN at the control panel.
5. To use a custom user name or job name, click the **Custom** button, and then enter the user name or the job name.  
  
Select which option to use if another stored job already has that name.
    - **Use Job Name + (1-99):** Append a unique number to the end of the job name.
    - **Replace Existing File:** Overwrite the existing stored job with the new one.
  6. If you selected the **Stored Job** or **Personal Job** option in step 3, you can protect the job with a PIN. Type a 4-digit number in the **Use PIN to Print** field. When other people attempt to print this job, the product prompts them to enter this PIN number.
  7. Click the **Print** button to process the job.

## Print a stored job

Use the following procedure to print a job that is stored in the product memory.

1. From the Home screen on the product control panel, scroll to and touch the [Retrieve from Device Memory](#) button.
2. Select the name of the folder where the job is stored.
3. Select the name of the job. If the job is private or encrypted, enter the PIN or password.
4. Adjust the number of copies, and then touch the Start  button to print the job.

## Delete a stored job

When you send a stored job to the product memory, the product overwrites any previous jobs with the same user and job name. If a job is not already stored under the same user and job name, and the product needs additional space, the product might delete other stored jobs starting with the oldest. You can change the number of jobs that the product can store from the [General Settings](#) menu on the product control panel.

Use this procedure to delete a job that is stored in the product memory.

1. From the Home screen on the product control panel, scroll to and touch the [Retrieve from Device Memory](#) button.
2. Select the name of the folder where the job is stored.
3. Select the name of the job, and then touch the [Delete](#) button.
4. If the job is private or encrypted, enter the PIN or the password, and then touch the [Delete](#) button.

## Mobile printing

HP offers multiple Mobile and ePrint solutions to enable wireless printing to an HP printer from a laptop, tablet, smartphone, or other mobile device. To determine the best choice for your needs, go to [www.hp.com/go/LaserJetMobilePrinting](http://www.hp.com/go/LaserJetMobilePrinting) (English only).

### HP ePrint

Use HP ePrint to print documents by sending them as an email attachment to the product's email address from any email enabled device.



---

**NOTE:** The product might require a firmware update to use this feature.

---

To use HP ePrint, the product must meet these requirements:

- The product must be connected to a wired or wireless network and have Internet access.
- HP Web Services must be enabled on the product, and the product must be registered with HP Connected.
  1. Type the product IP address into the address line of a Web browser to open the HP Embedded Web Server.
  2. Click the **HP Web Services** tab.
  3. Select the option to enable Web Services.



---

**NOTE:** Enabling Web Services might take several minutes.

---

4. Go to [www.hpconnected.com](http://www.hpconnected.com) to create an HP ePrint account and complete the setup process.

For more information, go to [www.hp.com/go/support](http://www.hp.com/go/support) to review additional support information for your product.

### HP ePrint software

The HP ePrint software makes it easy to print from a desktop or laptop computer to any HP ePrint-capable product. After installing the software, open the **Print** option from within your application, and then select **HP ePrint** from the installed printers list. This software makes it easy to find HP ePrint-enabled products that are registered to your HP Connected account. The target HP product can be at your desk or in a remote location, such as a branch office or across the globe.

For Windows, the HP ePrint software also supports traditional direct IP printing to local network printers on the network (LAN or WAN) to supported PostScript® products.

Go to [www.hp.com/go/eprintsoftware](http://www.hp.com/go/eprintsoftware) for drivers and information.



---

**NOTE:** The HP ePrint software is a PDF workflow utility for Mac, and is not technically a print driver. HP ePrint software for Mac supports print paths only through HP Connected and does not support direct IP printing to local network printers.

---

## AirPrint

Direct printing using Apple's AirPrint is supported for iOS 4.2 or later. Use AirPrint to print directly to the product from an iPad, iPhone (3GS or later), or iPod touch (third generation or later) in the following applications:

- Mail
- Photos
- Safari
- iBooks
- Select third-party applications

To use AirPrint, the product must be connected to the same wireless network as the Apple device. For more information about using AirPrint and about which HP products are compatible with AirPrint, go to [www.hp.com/go/airprint](http://www.hp.com/go/airprint).



**NOTE:** AirPrint does not support USB connections.

---

## Print from the USB port

This product features easy-access USB printing, so you can quickly print files without sending them from a computer. The product accepts standard USB flash drives in the USB port on the front of the product. You can print the following types of files:

- .pdf
- .prn
- .pcl
- .ps
- .cht

### Enable the USB port for printing


Before you can use this feature, you must enable the USB port. Use the following procedure to enable the port from the product control-panel menus:

1. From the Home screen on the product control panel, scroll to and touch the [Administration](#) button.
2. Open the following menus:
  - [General Settings](#)
  - [Enable Retrieve from USB](#)
3. Select the [Enable](#) option, and then touch the [Save](#) button.

### Print USB documents

1. Insert the USB flash drive into the easy-access USB port.


---

 **NOTE:** You might need to remove the cover from the USB port. Pull the cover straight out to remove it.


---

2. The product detects the USB flash drive. Touch the [OK](#) button to access the drive, or, if prompted, select the [Retrieve from USB](#) option from the list of available applications. The [Retrieve from USB](#) screen opens.
3. Select the name of the document that you want to print.

---

 **NOTE:** The document might be in a folder. Open folders as necessary.

---

4. To adjust the number of copies, touch the [Copies](#) field, and then use the keypad to select the number of copies.
5. Touch the Start  button to print the document.

---

## 5 Manage the product

- [HP Embedded Web Server](#)
- [HP Utility for Mac OS X](#)
- [Use HP Web Jetadmin software](#)
- [Economy settings](#)
- [Product security features](#)
- [Software and firmware updates](#)

### For more information:

In the US, go to [www.hp.com/support/ljM806](http://www.hp.com/support/ljM806).

Outside the US, go to [www.hp.com/support](http://www.hp.com/support). Select your country/region. Click **Product Support & Troubleshooting**. Enter the product name, and then select **Search**.

HP's all-inclusive help for your product includes the following information:

- Install and configure
- Learn and use
- Solve problems
- Download software updates
- Join support forums
- Find warranty and regulatory information

# HP Embedded Web Server


Use the HP Embedded Web Server to manage printing functions from your computer instead of the product control panel.

- View product status information
- Determine the remaining life for all supplies and order new ones
- View and change tray configurations
- View and change the product control-panel menu configuration
- View and print internal pages
- Receive notification of product and supplies events
- View and change network configuration

The HP Embedded Web Server works when the product is connected to an IP-based network. The HP Embedded Web Server does not support IPX-based product connections. You do not have to have Internet access to open and use the HP Embedded Web Server.

When the product is connected to the network, the HP Embedded Web Server is automatically available.

## How to access the HP Embedded Web Server (EWS)

1. Identify the product IP address or host name. If the Network  button is visible on the Home screen on the product control panel, touch that button to display the address. Otherwise, follow these steps to print or view the product configuration page:
  - a. From the Home screen on the product control panel, scroll to and touch the [Administration](#) button.
  - b. Open the following menus:
    - [Reports](#)
    - [Configuration/Status Pages](#)
    - [Configuration Page](#)
  - c. Touch the [Print](#) or [View](#) button.
  - d. Find the IP address or host name on the Jetdirect page.
2. In a supported Web browser on your computer, enter the product IP address or host name in the address/URL field.

To use the HP Embedded Web Server, your browser must meet the following requirements:

- Windows: Microsoft Internet Explorer 5.01 or later or Netscape 6.2 or later
- Mac OS X: Safari or Firefox using Bonjour or an IP address
- Linux: Netscape Navigator only
- HP-UX 10 and HP-UX 11: Netscape Navigator 4.7



# HP Utility for Mac OS X


Use the HP Utility for Mac OS X to check product status or to view or change product settings from your computer.

You can use the HP Utility when the product is connected with a USB cable or is connected to a TCP/IP-based network.

## Open HP Utility

From the Finder, click **Applications**, click **Hewlett-Packard**, and then click **HP Utility**.

If HP Utility is not included in the **Utilities** list, use the following procedure to open it:

1. At the computer, open the Apple  menu, click the **System Preferences** menu, and then click the **Print & Fax** icon or the **Print & Scan** icon.
2. Select the product in the left side of the window.
3. Click the **Options & Supplies** button.
4. Click the **Utility** tab.
5. Click the **Open Printer Utility** button.

## HP Utility features

The HP Utility toolbar is at the top of every page. It includes these items:

- **Devices:** Click this button to show or hide Mac products found by the HP Utility in the **Printers** pane at the left side of the screen.
- **All Settings:** Click this button to return to the HP Utility main page.
- **Applications:** Click this button to manage which HP tools or utilities appear in the Dock.
- **HP Support:** Click this button to open a browser and go to the HP support Web site for the product.
- **Supplies:** Click this button to open the HP SureSupply Web site.
- **Registration:** Click this button to open the HP registration Web site.
- **Recycling:** Click this button to open the HP Planet Partners Recycling Program Web site.

HP Utility consists of pages that you open by clicking in the **All Settings** list. The following table describes the tasks that you can perform with HP Utility.

Menu	Item	Description
<b>Information and Support</b>	<b>Supplies Status</b>	Shows the product supplies status and provides links for ordering supplies online.
	<b>Device Information</b>	Shows information about the currently selected product.
	<b>File Upload</b>	Transfers files from the computer to the product.
	<b>Upload Fonts</b>	Transfers font files from the computer to the product.
	<b>HP Connected</b>	Accesses the HP Connected Web site.

Menu	Item	Description
	<b>Update Firmware</b>	Transfers a firmware update file to the product.  <b>NOTE:</b> This option is available only after you open the <b>View</b> menu and select the <b>Show Advanced Options</b> item.
	<b>Commands</b>	Sends special characters or print commands to the product after the print job.  <b>NOTE:</b> This option is available only after you open the <b>View</b> menu and select the <b>Show Advanced Options</b> item.
<b>Printer Settings</b>	<b>Supplies Management</b>	Configures how the product should behave when supplies are nearing the end of their estimated life.
	<b>Trays Configuration</b>	Changes the default tray settings.
	<b>Output Devices</b>	Manages settings for optional output accessories.
	<b>Duplex Mode</b>	Turns on the automatic two-sided printing mode.
	<b>Protect Direct Ports</b>	Disables printing over USB or parallel ports.
	<b>Stored Jobs</b>	Manages print jobs that are stored on the product hard disk.
	<b>Network Settings</b>	Configures the network settings, such as the IPv4 and IPv6 settings.
	<b>Additional Settings</b>	Provides access to the HP Embedded Web Server.

## Use HP Web Jetadmin software

HP Web Jetadmin is an award-winning, industry-leading tool for efficiently managing a wide variety of networked HP products, including printers, multifunction products, and digital senders. This single solution allows you to remotely install, monitor, maintain, troubleshoot, and secure your printing and imaging environment — ultimately increasing business productivity by helping you save time, control costs, and protect your investment.

HP Web Jetadmin upgrades are periodically made available to provide support for specific product features. Go to [www.hp.com/go/webjetadmin](http://www.hp.com/go/webjetadmin) and click the **Self Help and Documentation** link to learn more about upgrades.

## Economy settings

- [Print with EconoMode](#)
- [Set Sleep mode](#)
- [Set the Sleep Schedule](#)

### Print with EconoMode

This product has an EconoMode option for printing drafts of documents. Using EconoMode can use less toner. However, using EconoMode can also reduce print quality.

HP does not recommend the full-time use of EconoMode. If EconoMode is used full-time, the toner supply might outlast the mechanical parts in the toner cartridge. If print quality begins to degrade and is no longer acceptable, consider replacing the toner cartridge.



**NOTE:** If this option is not available in your print driver, you can set it using the product control panel.

#### Configure EconoMode from the print driver

1. From the software program, select the **Print** option.
2. Select the product, and then click the **Properties** or **Preferences** button.
3. Click the **Paper/Quality** tab.
4. Click the **EconoMode** check box to enable the feature, and then click **OK**.

#### Configure EconoMode from the product control panel

1. From the Home screen on the product control panel, scroll to and touch the [Administration](#) button.
2. Open the following menus:
  - [General Settings](#)
  - [Print Quality](#)
3. Scroll to and select [EconoMode](#).
4. Touch [On](#) or [Off](#) to enable or disable the feature, and then touch [Save](#).

### Set Sleep mode


1. From the Home screen on the product control panel, scroll to and touch the [Administration](#) button.
2. Open the following menus:
  - [General Settings](#)
  - [Energy Settings](#)
  - [Sleep Timer Settings](#)
3. Touch [Sleep Mode/Auto Off After](#) to select the option.
4. Select the appropriate time period, and then touch the [Save](#) button.

## Set the Sleep Schedule



**NOTE:** You must configure the date and time settings before you can use the [Sleep Schedule](#) feature.

1. From the Home screen on the product control panel, scroll to and touch the [Administration](#) button.
2. Open the following menus:
  - [General Settings](#)
  - [Date/Time Settings](#)
3. Open the [Date/Time Format](#) menu and configure the following settings:
  - [Date Format](#)
  - [Time Format](#)
4. Touch the [Save](#) button.
5. Open the [Date/Time](#) menu and configure the following settings:
  - [Date/Time](#)
  - [Time Zone](#)

If you are in an area that uses daylight savings time, select the [Adjust for Daylight Savings](#) box.
6. Touch the [Save](#) button.
7. Touch the back-arrow button to return to the [Administration](#) screen.
8. Open the following menus:
  - [General Settings](#)
  - [Energy Settings](#)
  - [Sleep Schedule](#)
9. Touch the Add  button, and then select the type of event to schedule: [Wake](#) or [Sleep](#).
10. Configure the following settings:
  - [Time](#)
  - [Event Days](#)
11. Touch the [OK](#) button, and then touch the [Save](#) button.

# Product security features

- [Security statements](#)
- [IP Security](#)
- [Sign in to the product](#)
- [Assign a system password](#)
- [Encryption support: HP High Performance Secure Hard Disks](#)

## Security statements

The product supports security standards and recommended protocols that help you keep the product secure, protect critical information on your network, and simplify the way you monitor and maintain the product.

For in-depth information about HP's secure imaging and printing solutions, visit [www.hp.com/go/secureprinting](http://www.hp.com/go/secureprinting). The site provides links to white papers and FAQ documents about security features.

## IP Security

IP Security (IPsec) is a set of protocols that control IP-based network traffic to and from the product. IPsec provides host-to-host authentication, data integrity, and encryption of network communications.

For products that are connected to the network and have an HP Jetdirect print server, you can configure IPsec by using the **Networking** tab in the HP Embedded Web Server.

## Sign in to the product

Some features on the product control panel can be secured so that unauthorized people cannot use them. When a feature is secured, the product prompts you to sign in before you can use it. You can also sign in without waiting for a prompt by touching the [Sign In](#) button on the Home screen.

Typically, you use the same user name and password that you use to sign in to your computer on the network. Consult the network administrator for this product if you have questions about which credentials to use.

After you have signed in to the product, a [Sign Out](#) button displays on the control panel. To maintain security for the product, touch the [Sign Out](#) button when you have finished using the product.

## Assign a system password

Assign an administrator password for access to the product and the HP Embedded Web Server so that unauthorized users cannot change the product settings.

1. Open the HP Embedded Web Server by entering the product IP address into the address line of a Web browser.
2. Click the **Security** tab.
3. Open the **General Security** menu.
4. In the **Username** field, enter the name to associate with the password.

5. Enter the password in the **New Password** field, and then enter it again in the **Verify Password** field.



---

**NOTE:** If you are changing an existing password, you must first enter the existing password in the **Old Password** field.

---

6. Click the **Apply** button. Make note of the password and store it in a safe place.

## Encryption support: HP High Performance Secure Hard Disks

The hard disk provides hardware-based encryption so you can securely store sensitive data without impacting product performance. This hard disk uses the latest Advanced Encryption Standard (AES) and has versatile time-saving features and robust functionality.

Use the **Security** menu in the HP Embedded Web Server to configure the disk.

## Software and firmware updates

HP regularly updates features that are available in the product firmware. To take advantage of the most current features, update the product firmware. Download the most recent firmware update file from the Web:

- In the US, go to [www.hp.com/support/ljM806](http://www.hp.com/support/ljM806). Click **Drivers & Software**.
- Outside the US, go to [www.hp.com/support](http://www.hp.com/support). Select your country/region. Click **Drivers & Software**. Enter the product name (for example, “LaserJet M575”), and then select **Search**.



---

## 6 Solve problems

- [Restore factory-set defaults](#)
- [Control panel help system](#)
- [A “Cartridge is low” or “Cartridge is very low” message displays on the product control panel](#)
- [Product does not pick up paper or misfeeds](#)
- [Clear jams](#)
- [Improve print quality](#)
- [Solve wired network problems](#)

### For more information:

In the US, go to [www.hp.com/support/ljM806](http://www.hp.com/support/ljM806).

Outside the US, go to [www.hp.com/support](http://www.hp.com/support). Select your country/region. Click **Product Support & Troubleshooting**. Enter the product name, and then select **Search**.

HP's all-inclusive help for your product includes the following information:

- Install and configure
- Learn and use
- Solve problems
- Download software updates
- Join support forums
- Find warranty and regulatory information

## Restore factory-set defaults


1. From the Home screen on the product control panel, scroll to and touch the [Administration](#) button.
2. Open the following menus:
  - [General Settings](#)
  - [Restore Factory Settings](#)
3. A verification message advises that completing the reset function might result in loss of data. Touch the [Reset](#) button to complete the process.



**NOTE:** The product restarts automatically after the reset operation completes.

---


## Control panel help system

The product has a built-in Help system that explains how to use each screen. To open the Help system, touch the Help  button in the upper-right corner of the screen.

For some screens, the Help opens to a global menu where you can search for specific topics. You can browse through the menu structure by touching the buttons in the menu.

Some Help screens include animations that guide you through procedures, such as clearing jams.

For screens that contain settings for individual jobs, the Help opens to a topic that explains the options for that screen.

If the product alerts you of an error or warning, touch the Help  button to open a message that describes the problem. The message also contains instructions to help solve the problem.

## A “Cartridge is low” or “Cartridge is very low” message displays on the product control panel

**Cartridge is low:** The product indicates when a toner cartridge level is low. Actual toner cartridge life remaining may vary. Consider having a replacement available to install when print quality is no longer acceptable. The toner cartridge does not need to be replaced now.

**Cartridge is very low:** The product indicates when the toner cartridge level is very low. Actual toner cartridge life remaining may vary. Consider having a replacement available to install when print quality is no longer acceptable. The toner cartridge does not need to be replaced now unless the print quality is no longer acceptable.

Once an HP toner cartridge has reached **Very Low**, HP’s Premium Protection Warranty on that toner cartridge has ended.

### Change the “Very Low” settings

You can change the way the product reacts when supplies reach the Very Low state. You do not have to re-establish these settings when you install a new toner cartridge.

1. From the Home screen on the product control panel, scroll to and touch [Supplies](#).
2. Open the following menus:
  - [Manage Supplies](#)
  - [Supply Settings](#)
  - [Black Cartridge](#) or [Color Cartridges](#)
  - [Very Low Settings](#)
3. Select one of the following options:
  - Select the [Stop](#) option to set the product to stop printing when the cartridge reaches the **Very Low** threshold.
  - Select the [Prompt to continue](#) option to set the product to stop printing when the cartridge reaches the **Very Low** threshold. You can acknowledge the prompt or replace the cartridge to resume printing.
  - Select the [Continue](#) option to set the product to alert you that the cartridge is very low, and to continue printing beyond the **Very Low** setting without interaction. This can result in unsatisfactory print quality.

### For products with fax capability

When the product is set to the [Stop](#) or [Prompt to continue](#) option, there is some risk that faxes will not print when the product resumes printing. This can occur if the product has received more faxes than the memory can hold while the product is waiting.

The product can print faxes without interruption when it passes the Very Low threshold if you select the [Continue](#) option for the toner cartridge, but print quality might degrade.

## Order supplies

---

Order supplies and paper	<a href="http://www.hp.com/go/suresupply">www.hp.com/go/suresupply</a>
Order through service or support providers	Contact an HP-authorized service or support provider.
Order using the HP Embedded Web Server (EWS)	To access, in a supported Web browser on your computer, enter the product IP address or host name in the address/URL field. The EWS contains a link to the HP SureSupply Web site, which provides options for purchasing Original HP supplies.

---

## Product does not pick up paper or misfeeds

- [The product does not pick up paper](#)
- [The product picks up multiple sheets of paper](#)
- [The document feeder jams, skews, or picks up multiple sheets of paper](#)

### The product does not pick up paper

If the product does not pick up paper from the tray, try these solutions.

1. Open the product and remove any jammed sheets of paper.
2. Load the tray with the correct size of paper for your job.
3. Make sure the paper size and type are set correctly on the product control panel.
4. Make sure the paper guides in the tray are adjusted correctly for the size of paper. Adjust the guides to the appropriate indentation in the tray.
5. Check the product control panel to see if the product is waiting for you to acknowledge a prompt to feed the paper manually. Load paper, and continue.
6. The rollers above the tray might be contaminated. Clean the rollers with a lint-free cloth dampened with warm water.

### The product picks up multiple sheets of paper

If the product picks up multiple sheets of paper from the tray, try these solutions.

1. Remove the stack of paper from the tray and flex it, rotate it 180 degrees, and flip it over. *Do not fan the paper.* Return the stack of paper to the tray.
2. Use only paper that meets HP specifications for this product.
3. Use paper that is not wrinkled, folded, or damaged. If necessary, use paper from a different package.
4. Make sure the tray is not overfilled. If it is, remove the entire stack of paper from the tray, straighten the stack, and then return some of the paper to the tray.
5. Make sure the paper guides in the tray are adjusted correctly for the size of paper. Adjust the guides to the appropriate indentation in the tray.
6. Make sure the printing environment is within recommended specifications.

### The document feeder jams, skews, or picks up multiple sheets of paper



**NOTE:** This information applies to MFP products only.

- The original might have something on it, such as staples or self-adhesive notes, that must be removed.
- Check that all rollers are in place and that the roller-access cover inside the document feeder is closed.
- Make sure that the top document-feeder cover is closed.
- The pages might not be placed correctly. Straighten the pages and adjust the paper guides to center the stack.

- The paper guides must be touching the sides of the paper stack to work correctly. Make sure that the paper stack is straight and the guides are against the paper stack.
- The document feeder input tray or output bin might contain more than the maximum number of pages. Make sure the paper stack fits below the guides in the input tray, and remove pages from the output bin.
- Verify that there are no pieces of paper, staples, paper clips, or other debris in the paper path.
- Clean the document-feeder rollers and the separation pad. Use compressed air or a clean, lint-free cloth moistened with warm water. If misfeeds still occur, replace the rollers.
- From the Home screen on the product control panel, scroll to and touch the [Supplies](#) button. Check the status of the document-feeder kit, and replace it if necessary.

# Clear jams

## Auto-navigation for clearing jams

The auto-navigation feature assists you in clearing jams by providing step-by-step instructions on the control panel. When you complete a step, the product displays instructions for the next step until you have completed all steps in the procedure.

## Experiencing frequent or recurring paper jams?

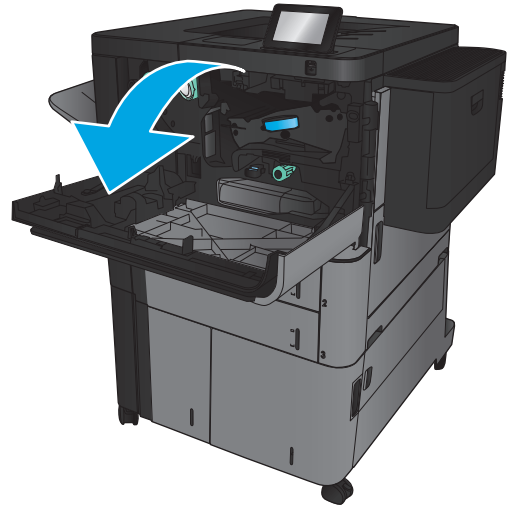
To reduce the number of paper jams, try these solutions.

1. Use only paper that meets HP specifications for this product.
2. Use paper that is not wrinkled, folded, or damaged. If necessary, use paper from a different package.
3. Use paper that has not previously been printed or copied on.
4. Make sure the tray is not overfilled. If it is, remove the entire stack of paper from the tray, straighten the stack, and then return some of the paper to the tray.
5. Make sure the paper guides in the tray are adjusted correctly for the size of paper. Adjust the guides so they are touching the paper stack without bending it.
6. Make sure that the tray is fully inserted in the product.
7. If you are printing on heavy, embossed, or perforated paper, use the manual feed feature and feed sheets one at a time.
8. From the Home screen on the product control panel, scroll to and touch the [Trays](#) button. Verify that the tray is configured correctly for the paper type and size.
9. Make sure the printing environment is within recommended specifications.

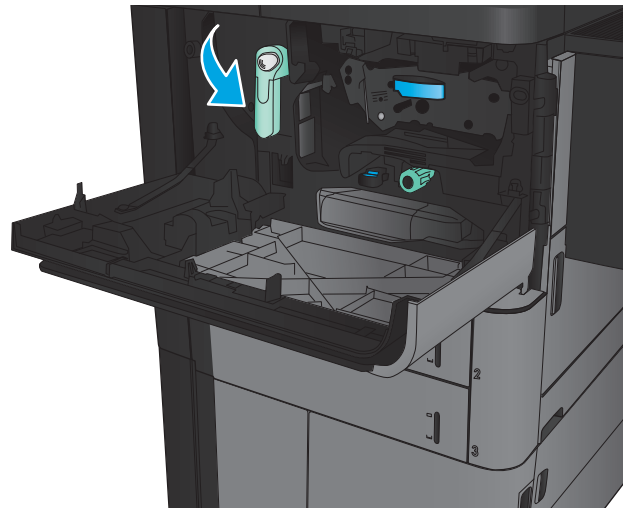


## Clear jams in the front door

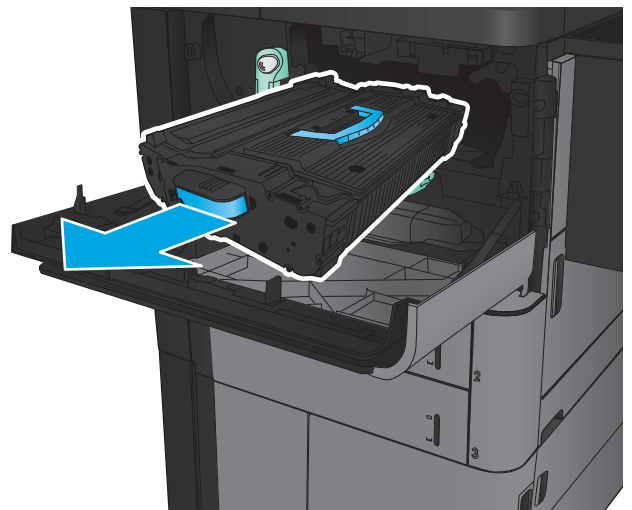
1. Open the front door. Make sure that the door is completely open.



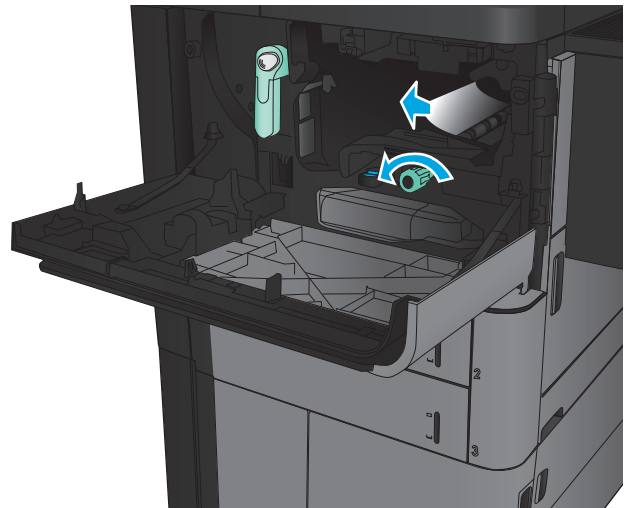
2. Push the button on the lever, and then rotate the toner-cartridge lever to the down position.



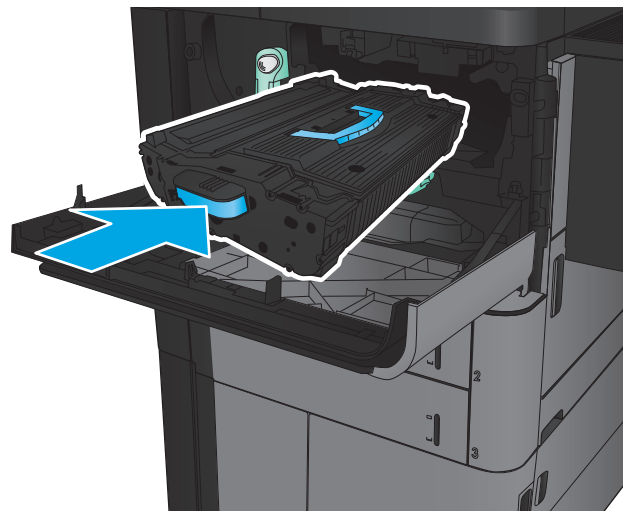
3. Grasp the handle of the toner cartridge and pull out to remove it.



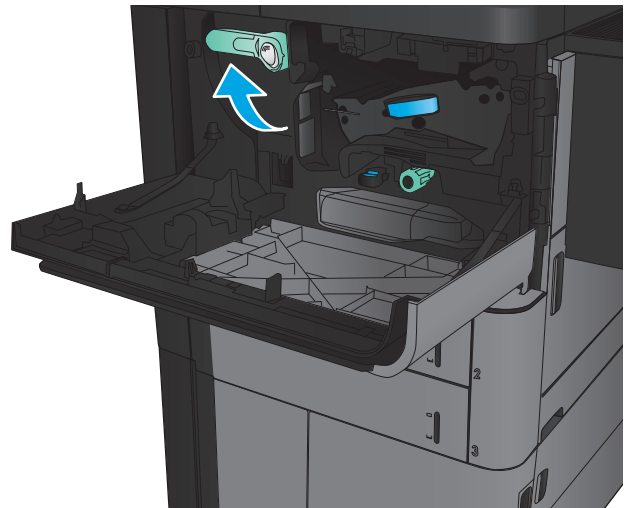
4. Turn the green knob counter-clockwise, and then remove the jammed paper.



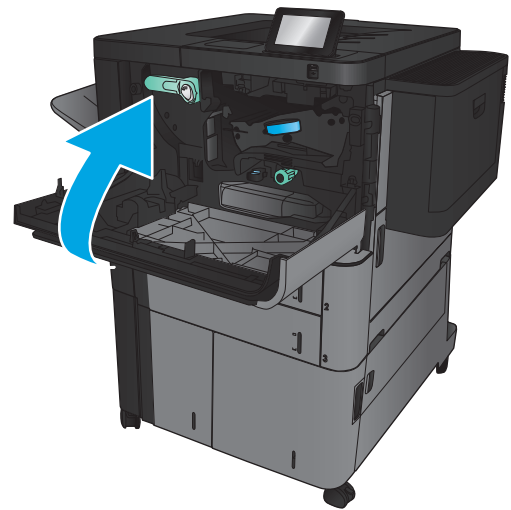
5. Align the toner cartridge with its slot, and then insert the toner cartridge into the product. The toner cartridge will drop slightly when it is in place.



6. Push the button on the lever, and then rotate the toner-cartridge lever to the up position.

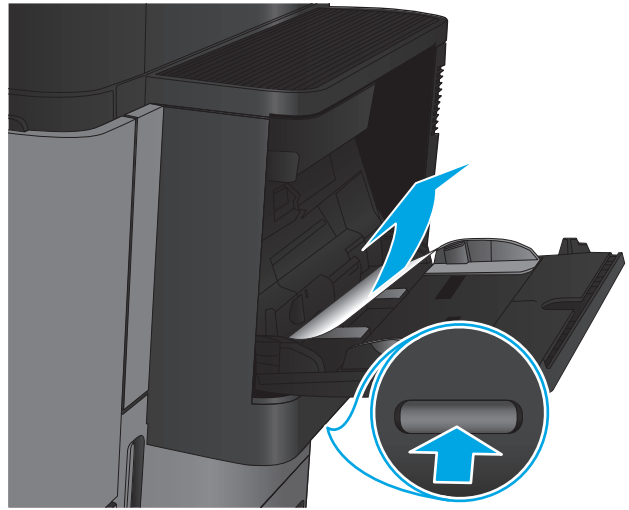


7. Close the front door.

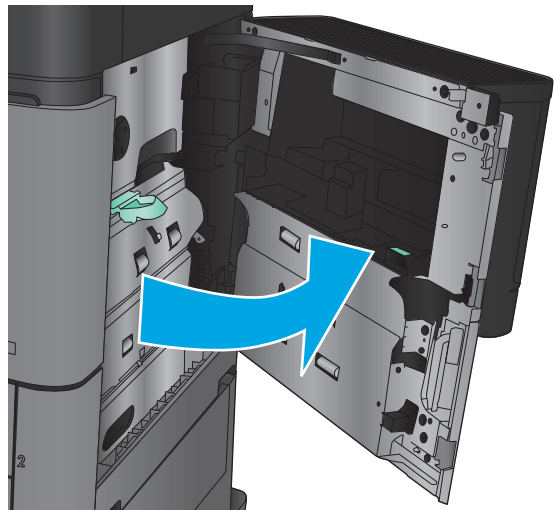


## Clear jams in Tray 1

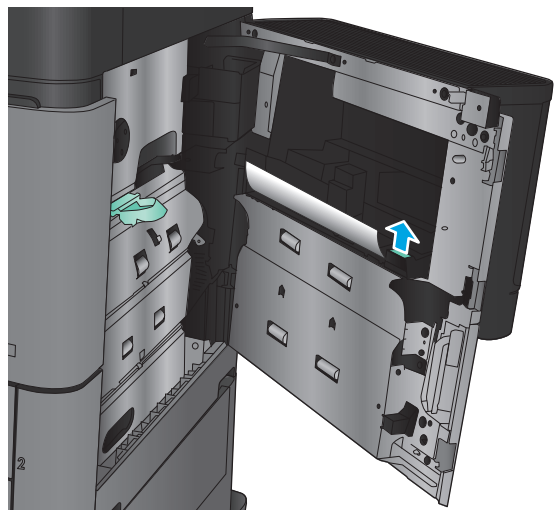
1. If jammed paper is visible in Tray 1, clear the jam by pressing the jam release button under the tray and gently pulling the paper straight out.



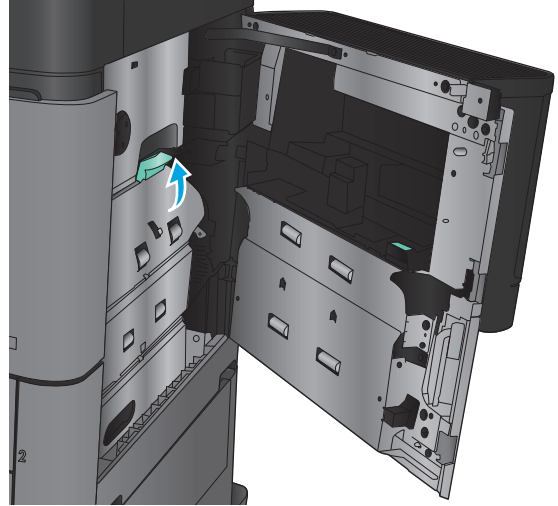
2. If you cannot remove the paper, or if no jammed paper is visible in Tray 1, open the right door.



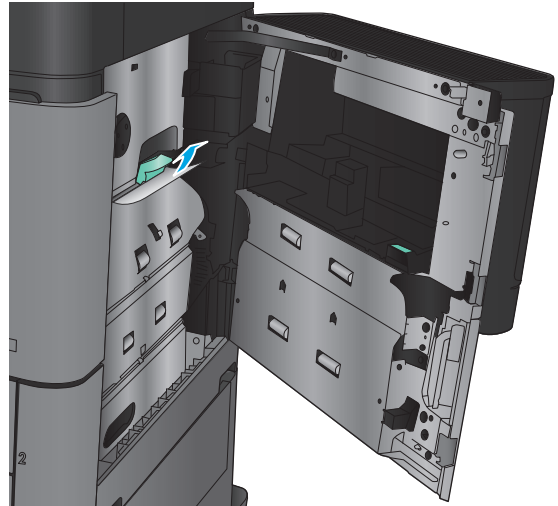
3. If jammed paper is in the Tray 1 feed area, lift the jam access cover and remove the paper.



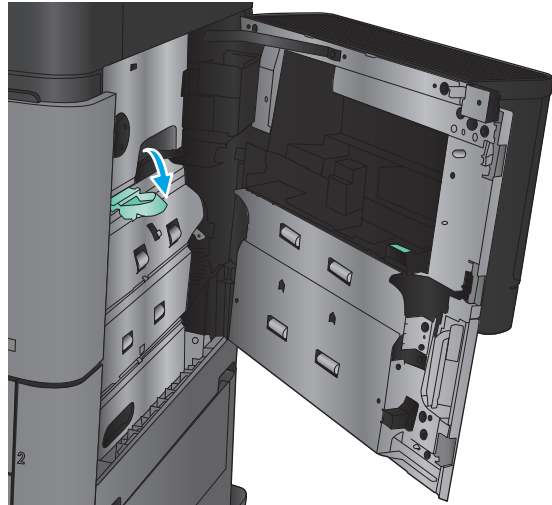
4. Pull the jam-access cover lever out, and then lift it to open it.



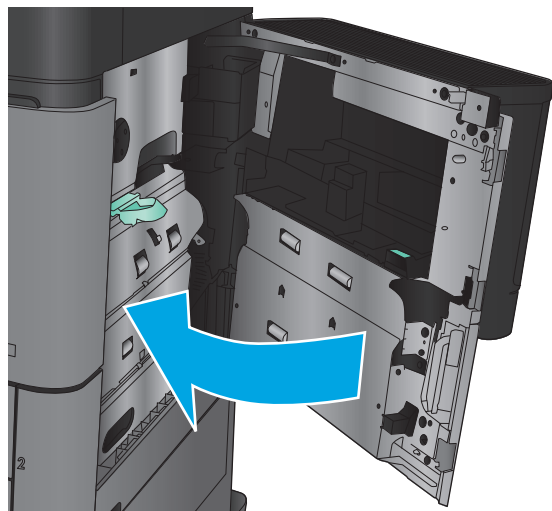
5. Gently pull the paper out of the pickup area.



6. Pull the jam-access cover lever out, and then lower it to close it.

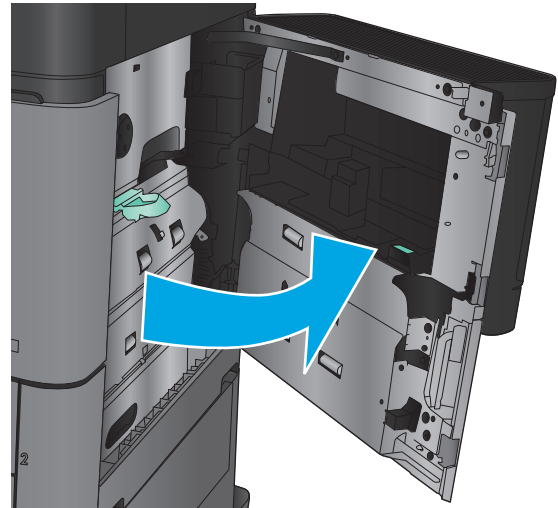


7. Close the right door.

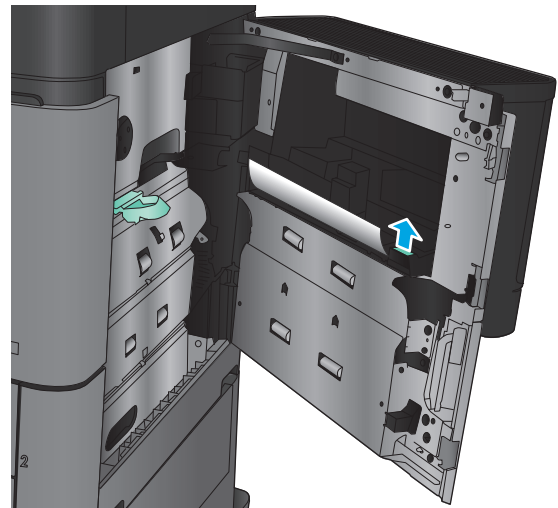


## Clear jams in the right door

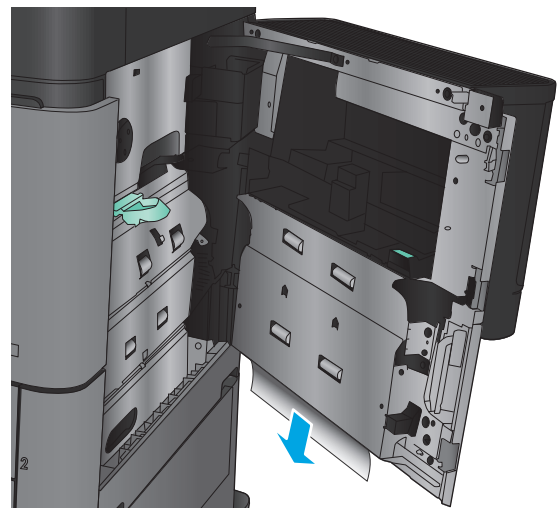
1. Open the right door.



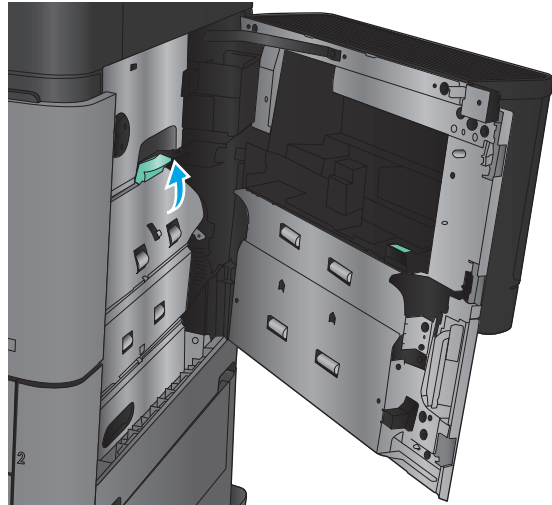
2. If there is jammed paper in the door, lift the jam access-cover, and then gently pull the paper straight out.



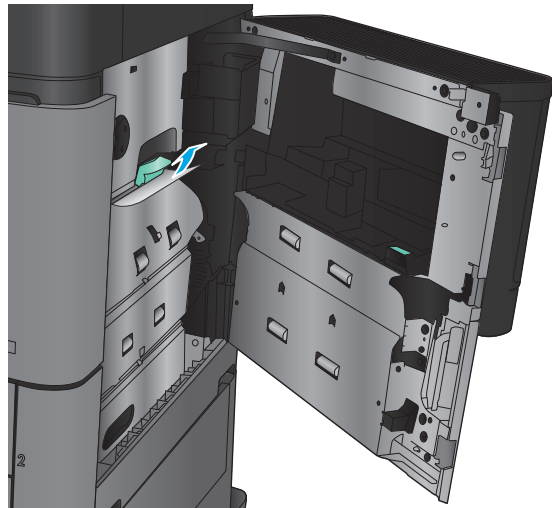
3. If there is jammed paper visible at the bottom of the door, gently pull it straight down.



4. Pull the jam-access cover lever out, and then lift it to open it.

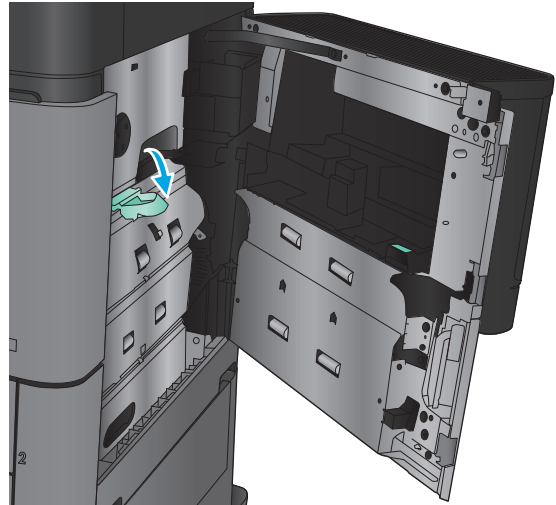


5. Gently pull the paper out of the pickup area.

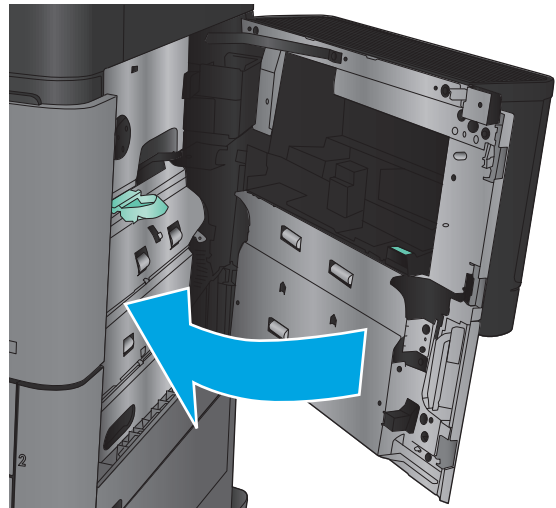





6. Pull the jam-access cover lever out, and then lower it to close it.



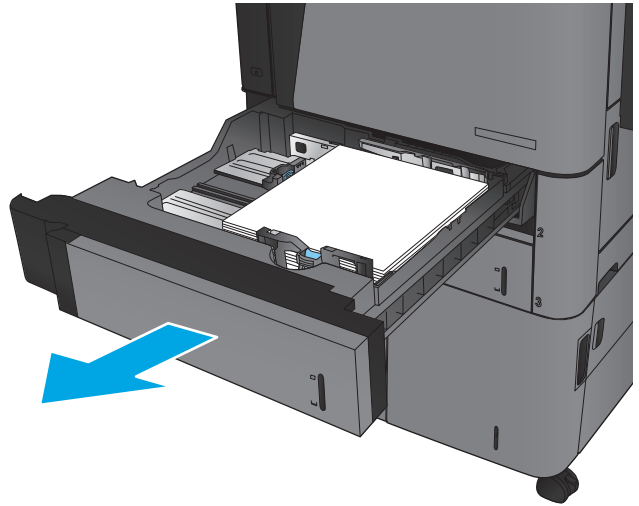
7. Close the right door.



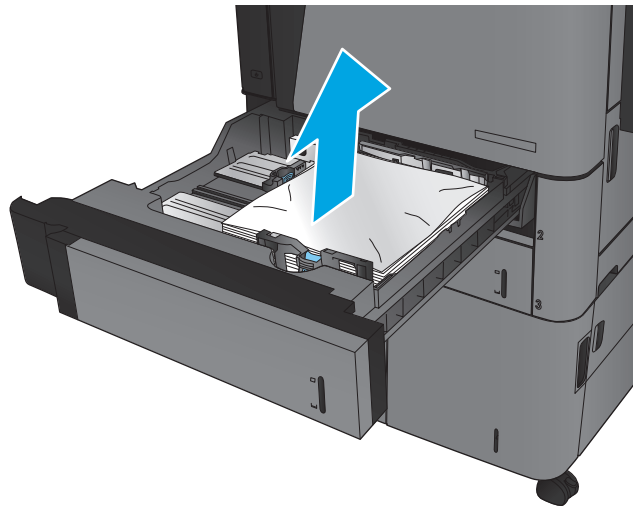
## Clear jams in Tray 2 and Tray 3

 **NOTE:** The procedure to clear jams for Tray 3 is the same as for Tray 2. Only Tray 2 is shown here.

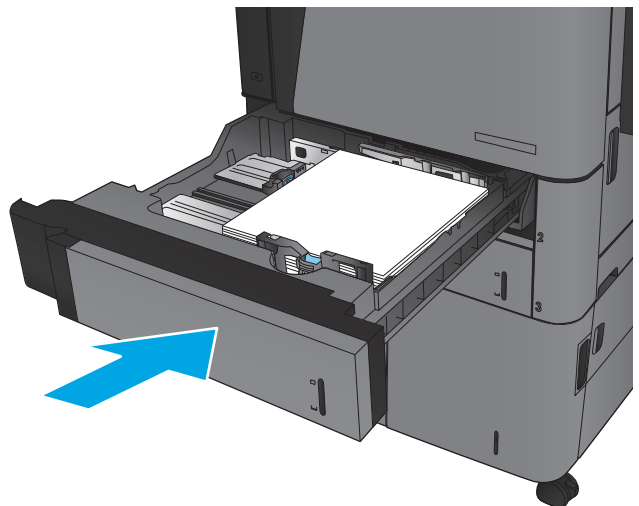
1. Open the tray.



2. Remove any jammed or damaged sheets of paper.



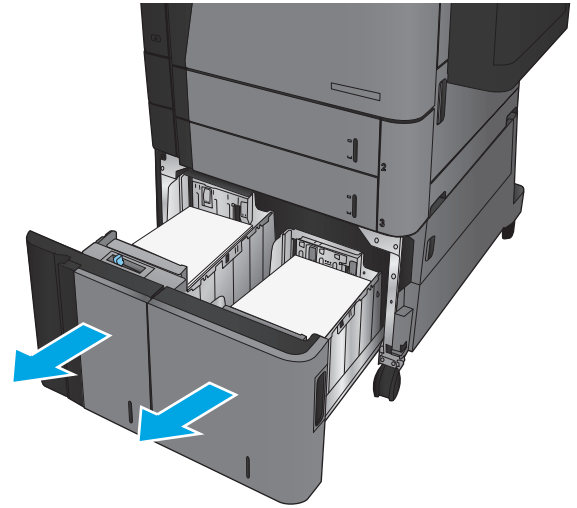
3. Reinsert and close the tray.



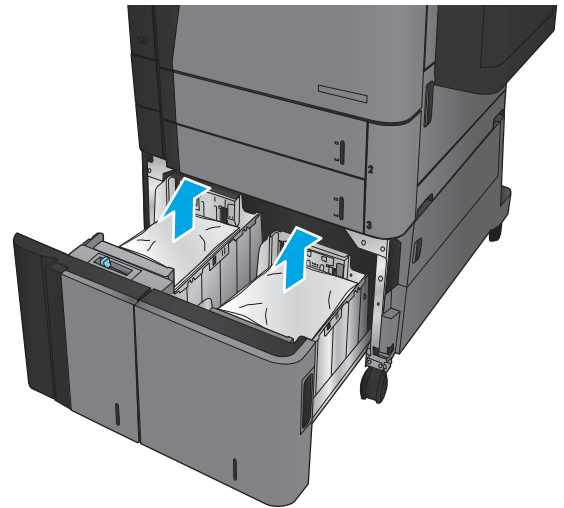
## Clear jams in Tray 4 and Tray 5

1. Open the right and left trays.

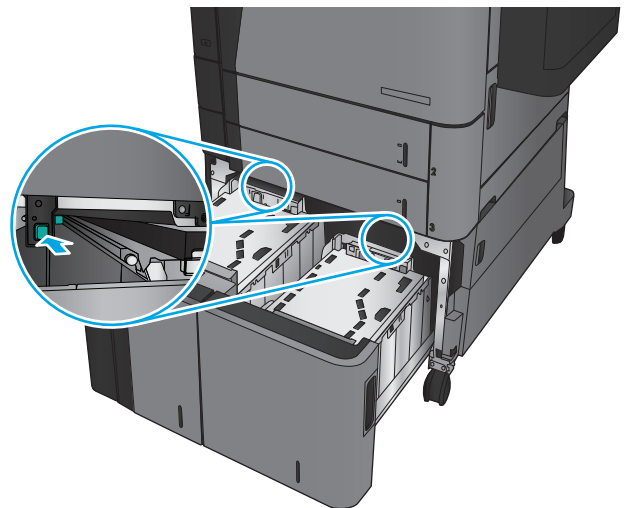
**NOTE:** You do not need to load both trays at the same time.



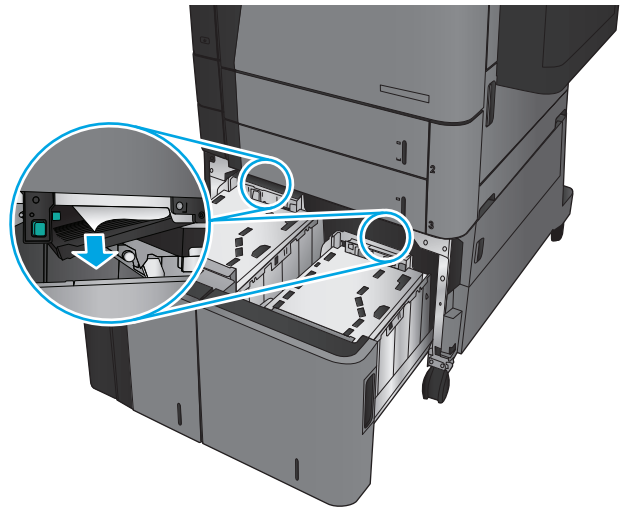
2. Remove the paper from the trays and discard any damaged sheets.



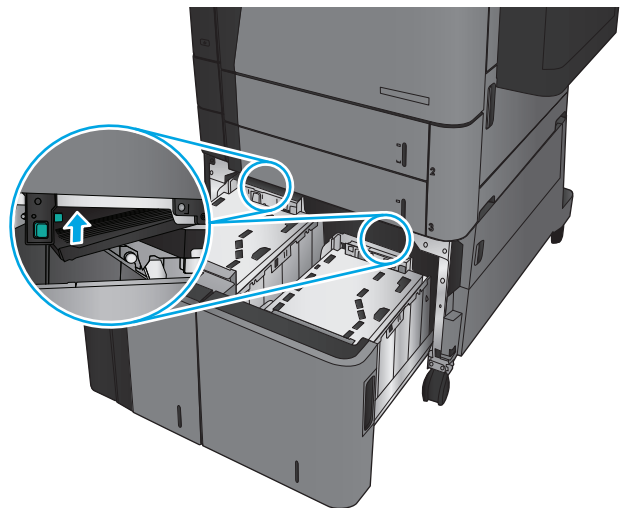
3. Above the right-side tray, press the green button to release the jam-access plate.



4. If jammed paper is in the feed area, pull it down to remove it.

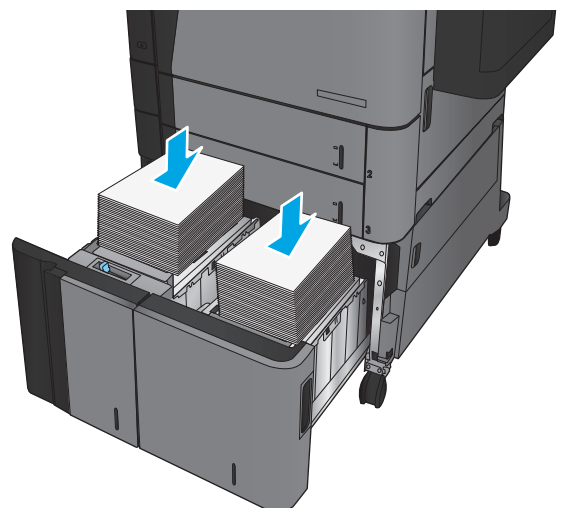


5. Push up on the jam-access plate to close it.

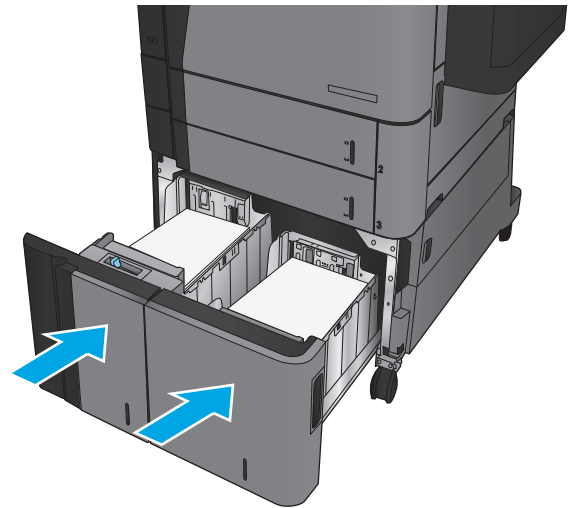


6. Load full reams of paper into each side of the tray. The right side holds 1,500 sheets of paper. The left side holds 2,000 sheets of paper.

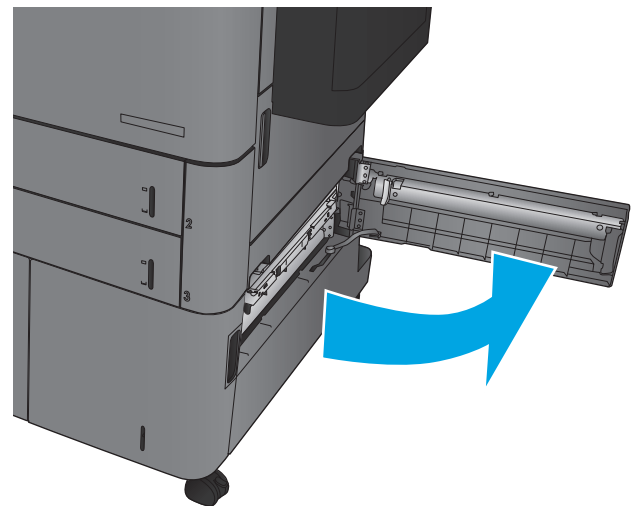
**NOTE:** For best results, load full reams of paper. Avoid dividing reams into smaller sections.



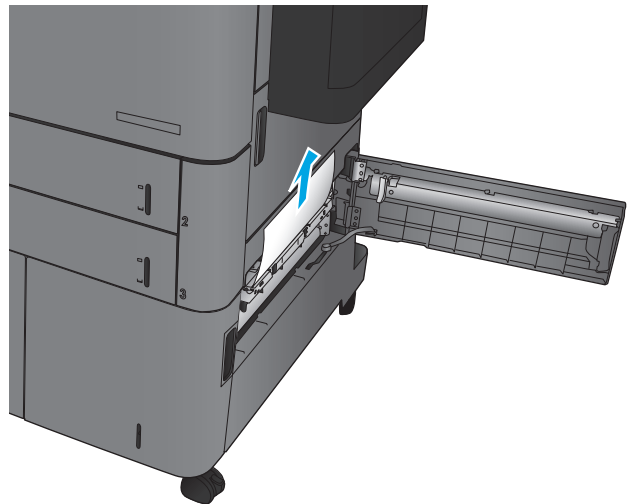
7. Close the right and left trays.



8. Open the jam-access door on the right side of the high-capacity tray cabinet.

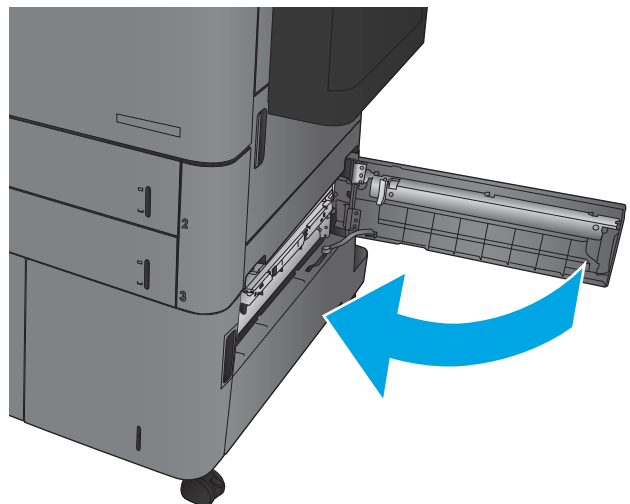


9. Remove any jammed paper.



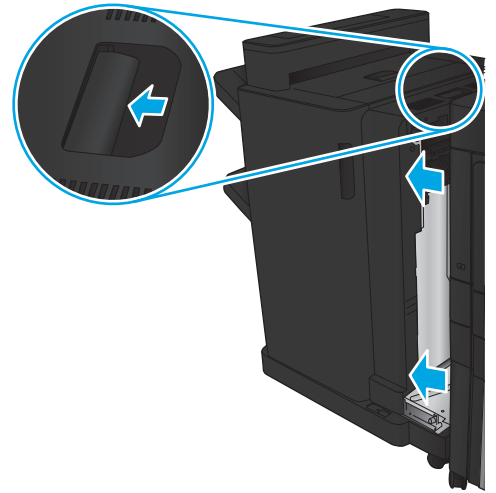
10. Close the jam-access door on the right side of the high-capacity tray cabinet.

**NOTE:** If after clearing the jam the product control panel displays a message that there is no paper in the tray or the tray is over filled, remove the tray and look behind it for any remaining paper.

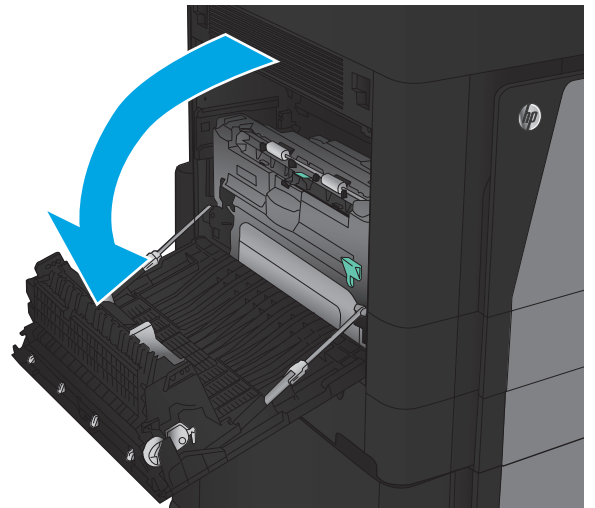


## Clear jams in the duplexer

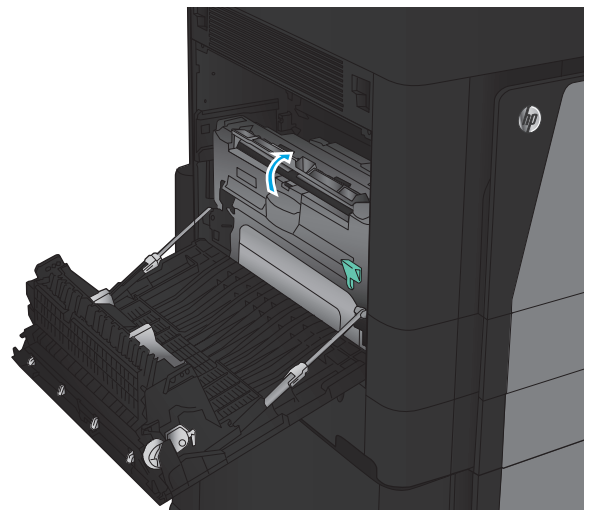
1. Pull the release handle on the top of the finishing accessory, and then slide the finisher away from the product until it stops.



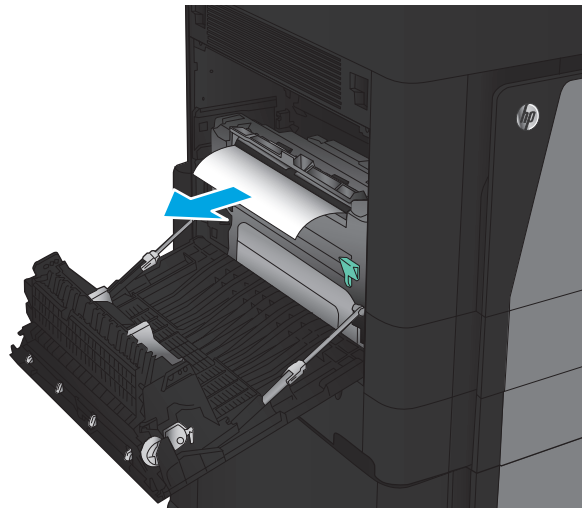
2. Open the left door.



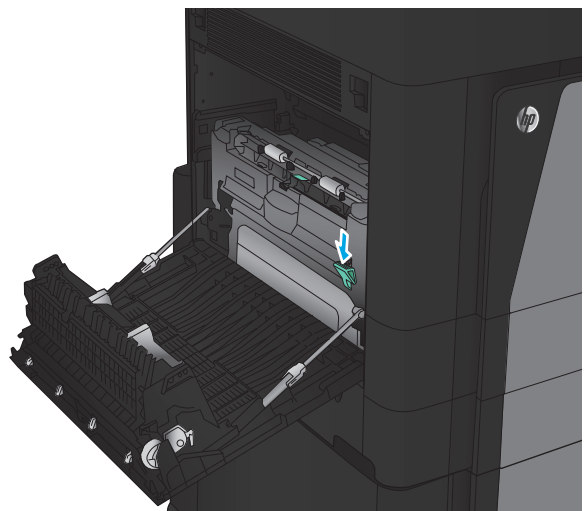
3. Lift the jam access cover on the duplexer.



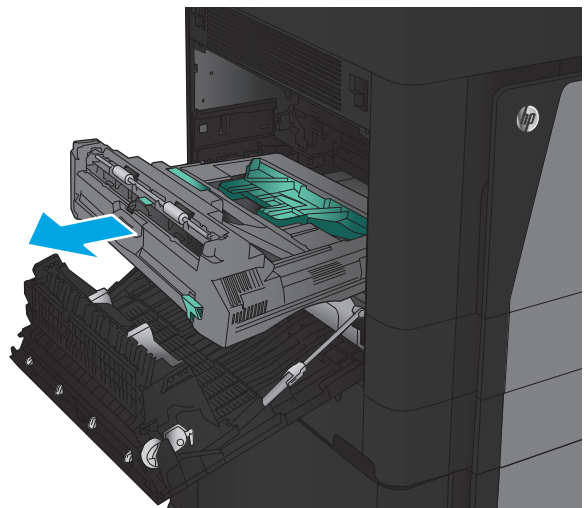
4. Gently remove any jammed or damaged paper from this area by pulling it out of the product.



5. Press down on the latch to release the duplexer.

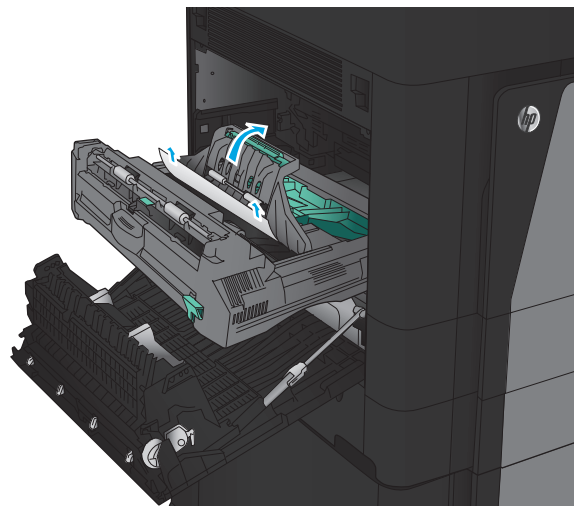


6. Pull the duplexer straight out of the product until it stops.

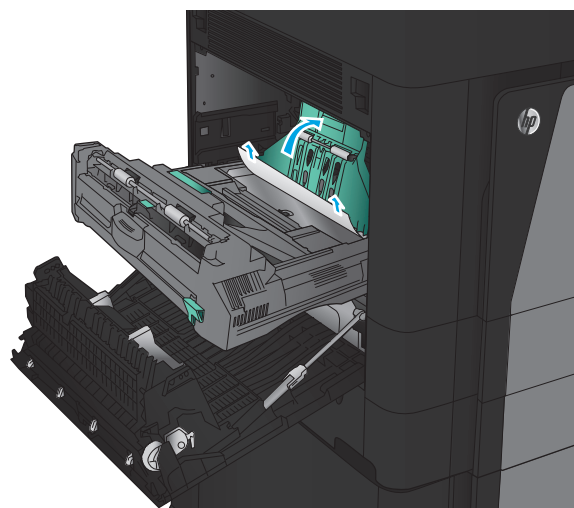




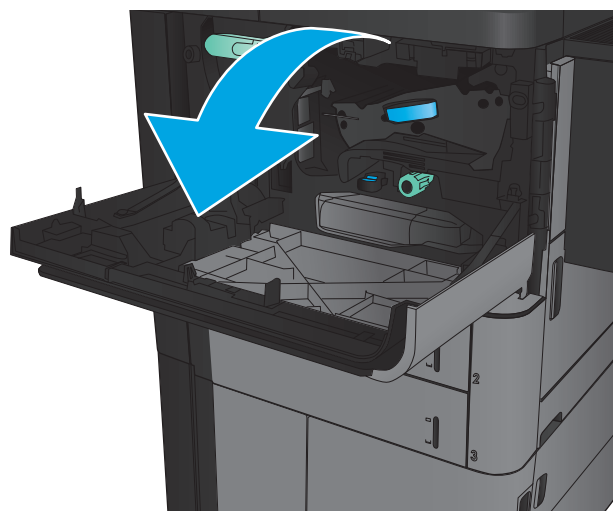
7. Lift the first jam-access cover, and then remove any jammed paper.



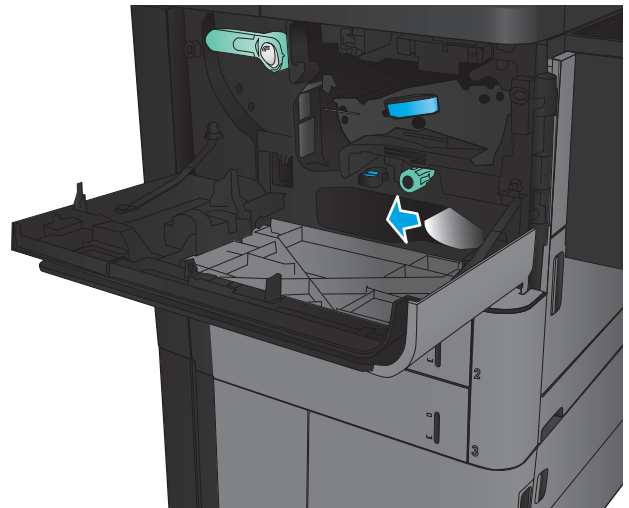
8. Lift the second jam-access cover, and then remove any jammed paper.



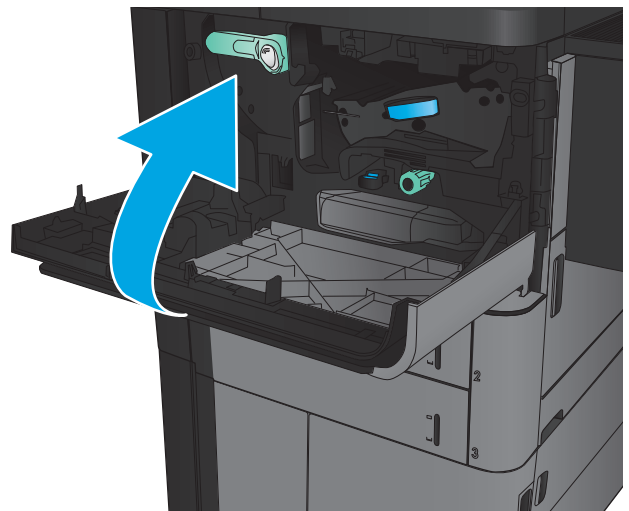
9. Open the front door.



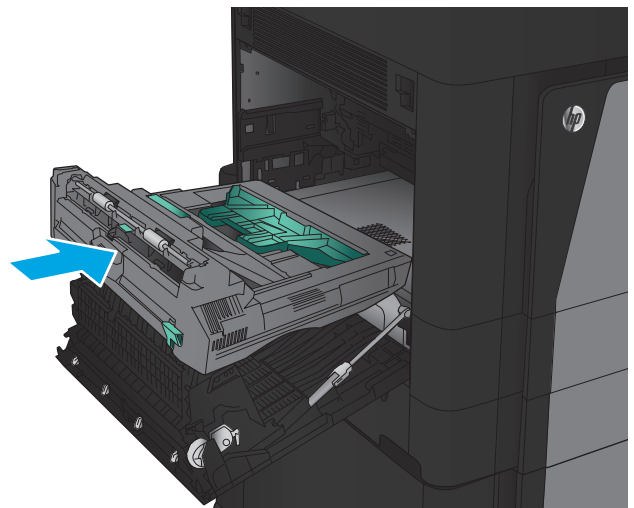
10. Remove any jammed paper from the opening below the toner-cartridge area.



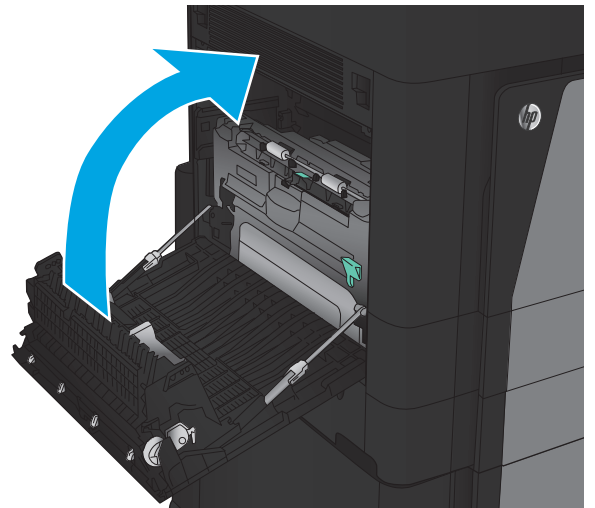
11. Close the front door.



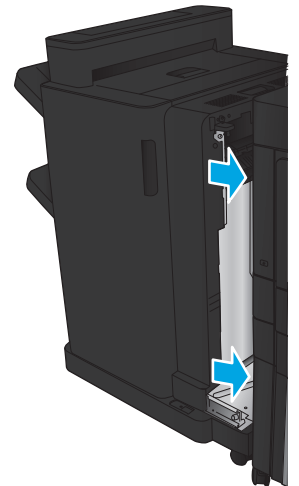
12. Slide the duplexer into the slot until it locks into place.



**13.** Close the left door.



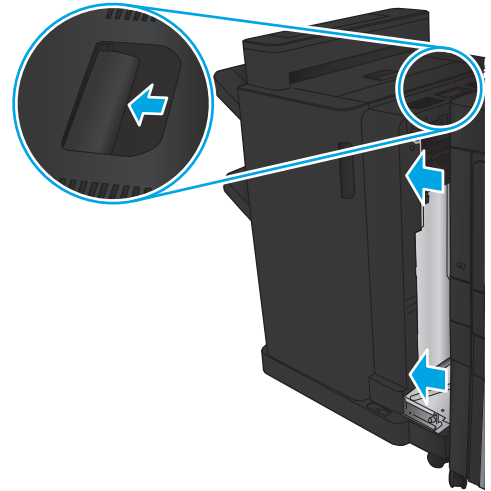
**14.** Attach the finishing accessory.



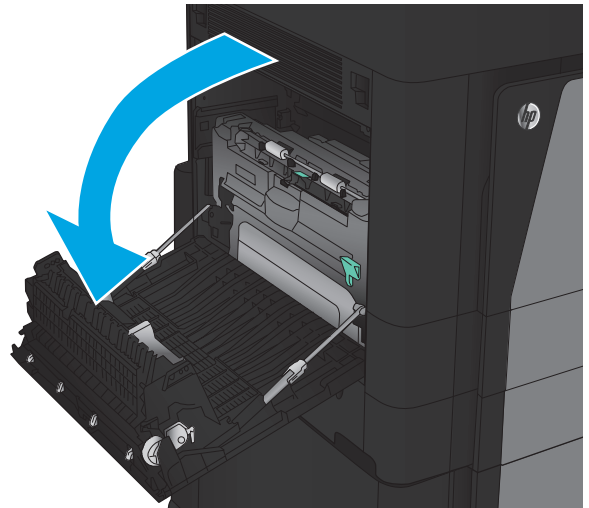
## Clear jams in the left door (fuser area)

**⚠ WARNING!** The fuser can be hot while the product is in use.

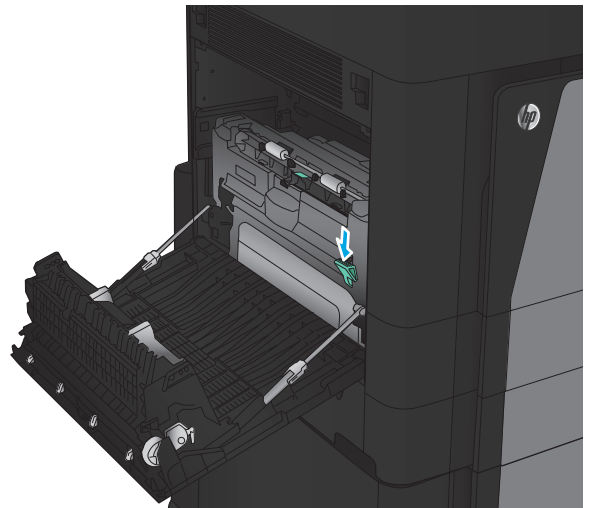
1. Lift the release handle on the top of the finishing accessory, and then slide the finisher away from the product until it stops.



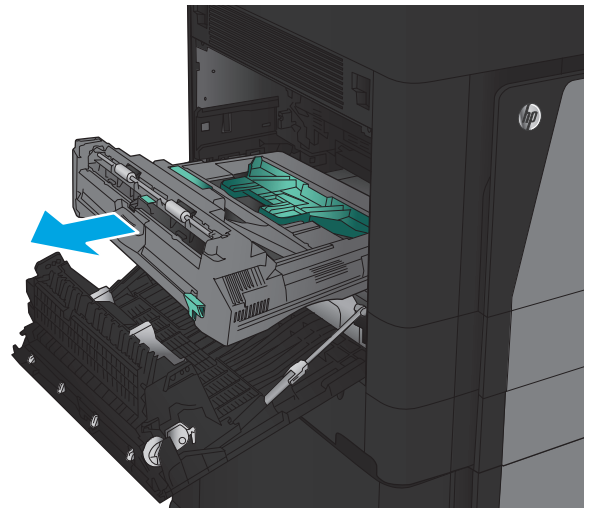
2. Open the left door of the product.



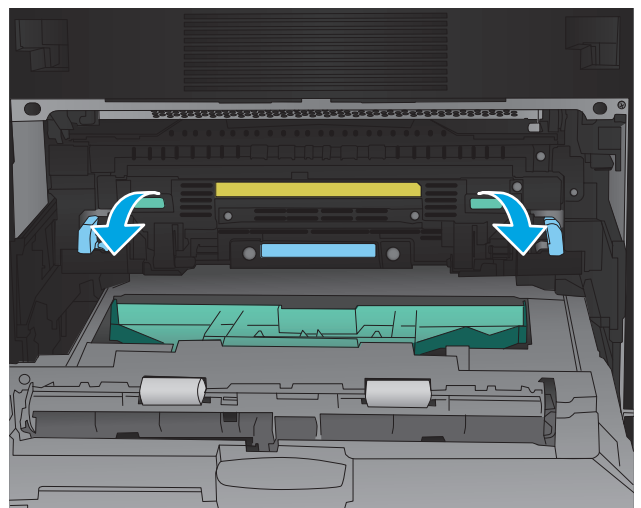
3. Push down to release the latch on the duplexer.



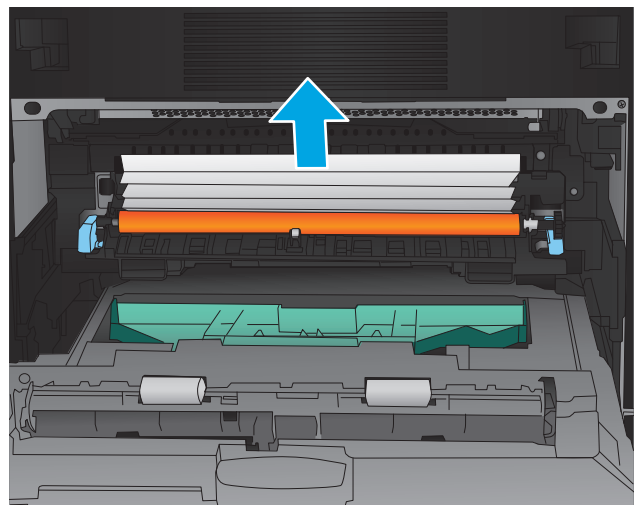
4. Pull the duplexer straight out of the product until it stops.



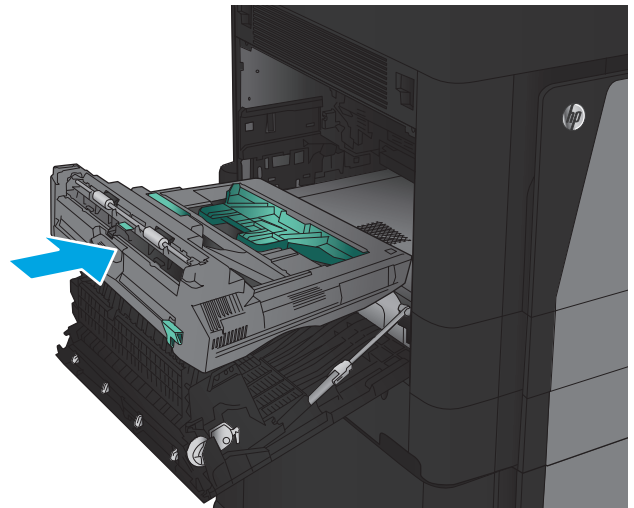
5. Open the jam-access cover.  
**WARNING!** The fuser can be hot while the product is in use.



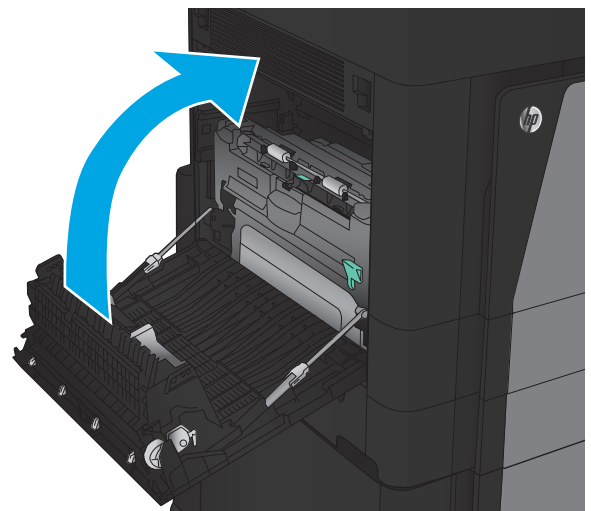
6. Gently remove the jammed paper.



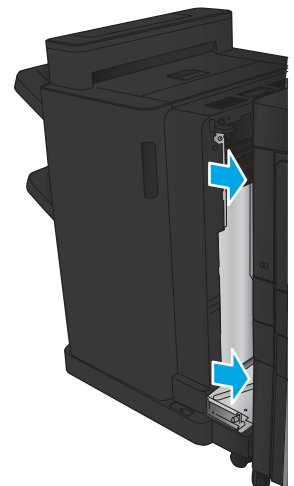
7. Slide the duplexer into the slot until it locks into place.



8. Close the left door.

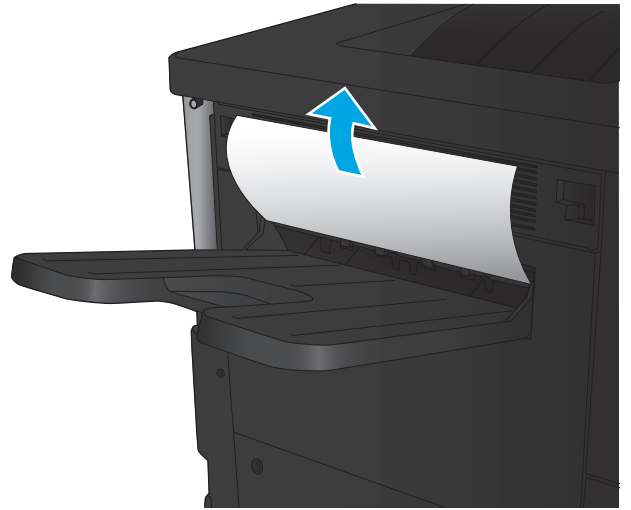


9. Attach the finisher.

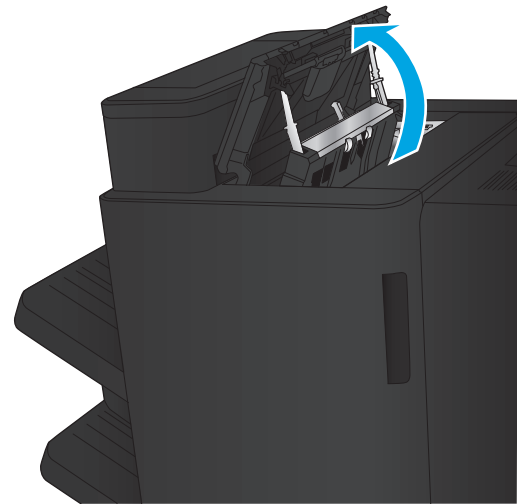


## Clear jams in the output bin area

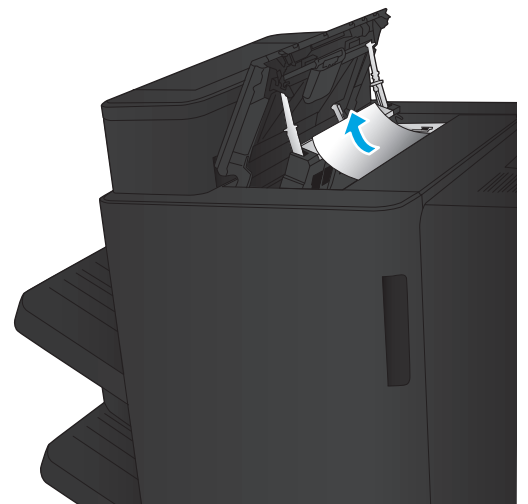
1. If a finishing accessory is not attached to the product and paper is visible from the output bin, grasp the leading edge and remove it.



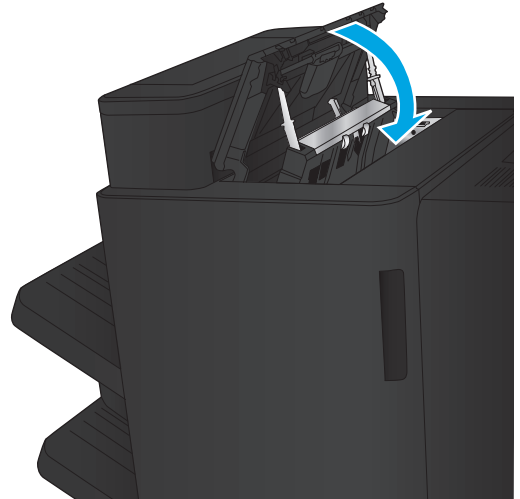
2. If a finishing accessory is attached to the product, lift the handle to open the top cover of the finishing accessory.



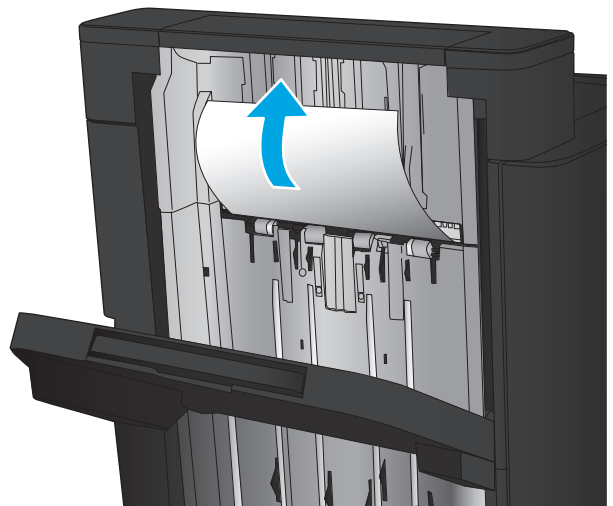
3. Remove jammed paper from the inside of the finishing accessory.



4. Close the top cover of the finishing accessory.



5. Lift the jam-access cover for the output slot. If you can see any jammed paper, gently pull it out.



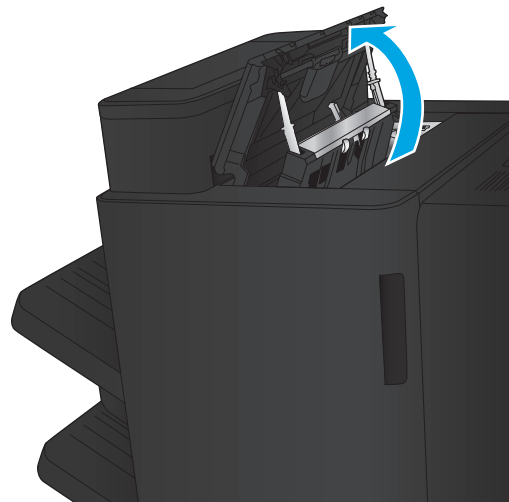


## Clear jams in the stapler/stacker accessory

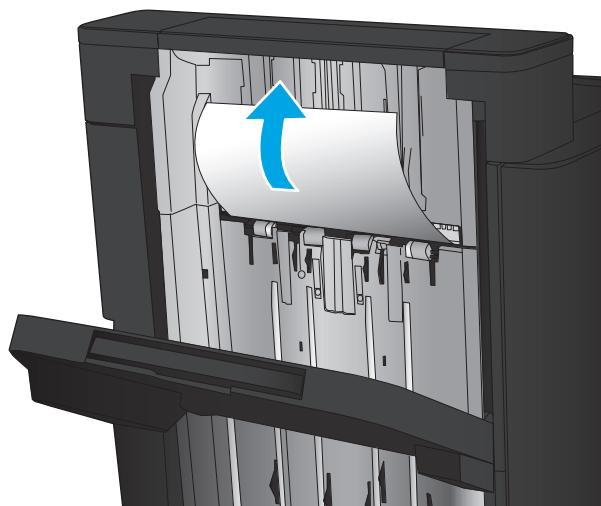
- [Clear jams in the stapler/stacker](#)
- [Clear connection jams](#)
- [Clear Staple 1 jams](#)

### Clear jams in the stapler/stacker

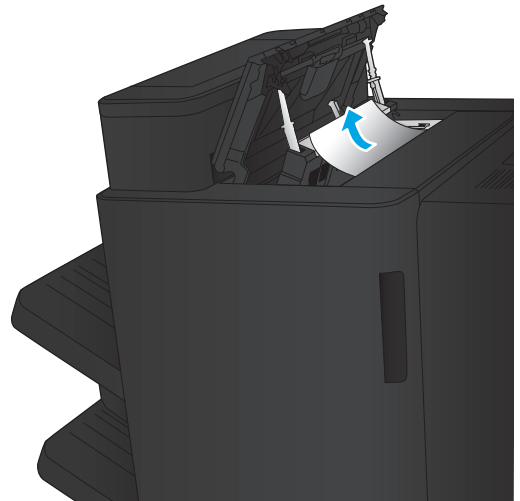
1. Open the top left door.



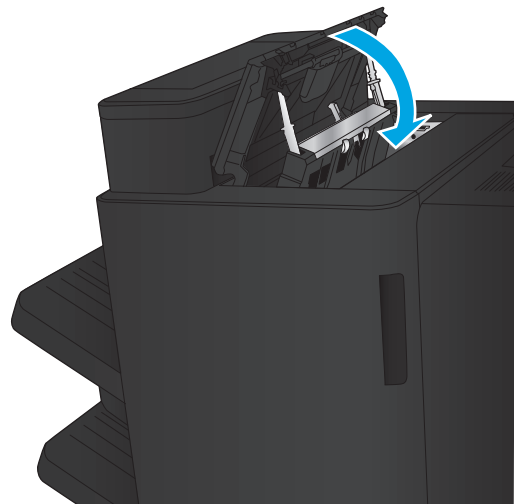
2. Lift the jam access cover for the output slot, and gently remove any jammed paper.



3. Remove all paper from the top left door area.

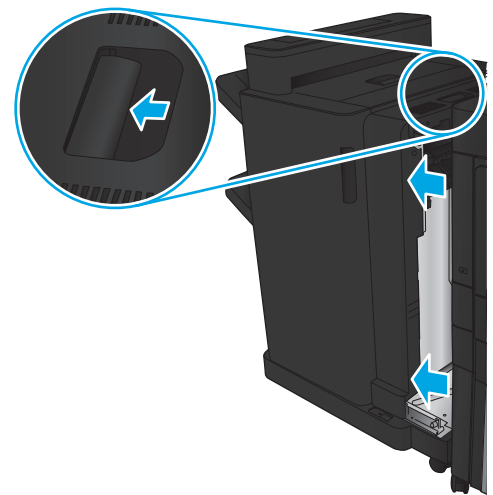


4. Close the top left door.

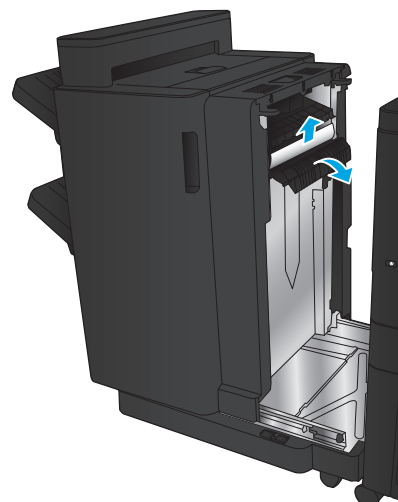


### Clear connection jams

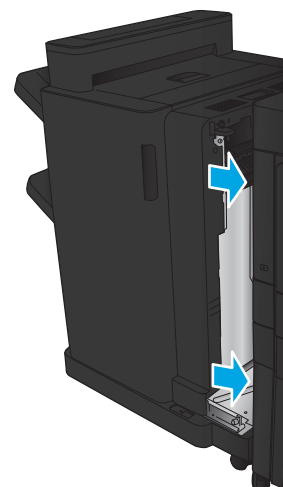
1. Pull the release handle on the top of the finishing accessory, and then slide the finisher away from the product until it stops.



2. Remove any paper from the area.

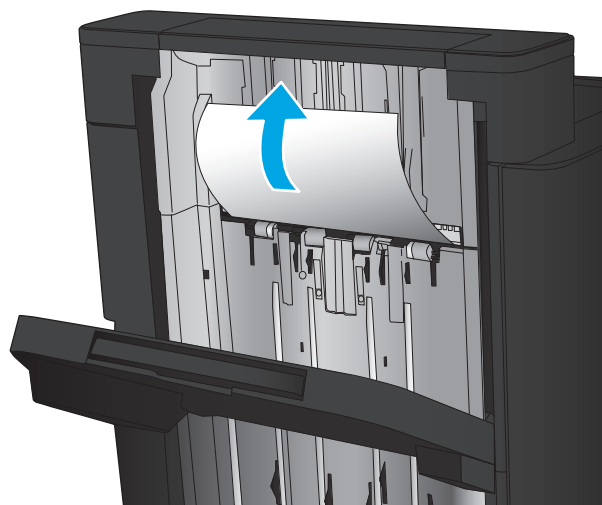


3. Attach the finishing accessory.

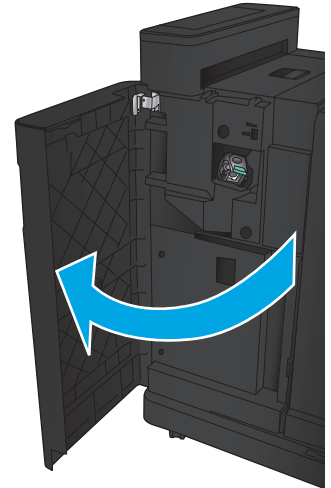


### Clear Staple 1 jams

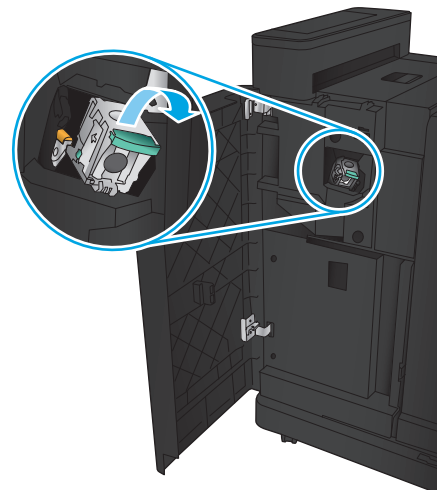
1. Lift the jam access cover for the output slot, and gently remove any jammed paper.



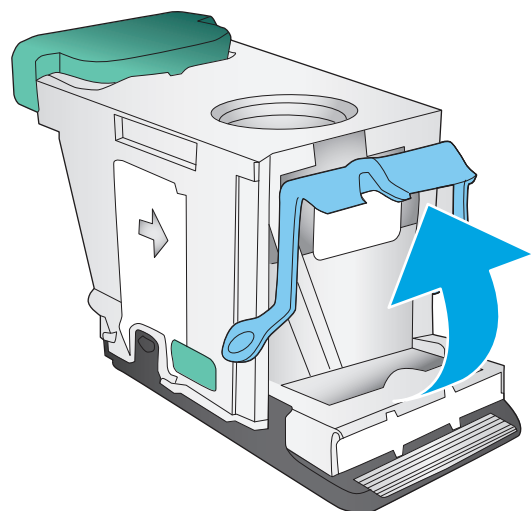
2. Wait three seconds, and then open the front left door.



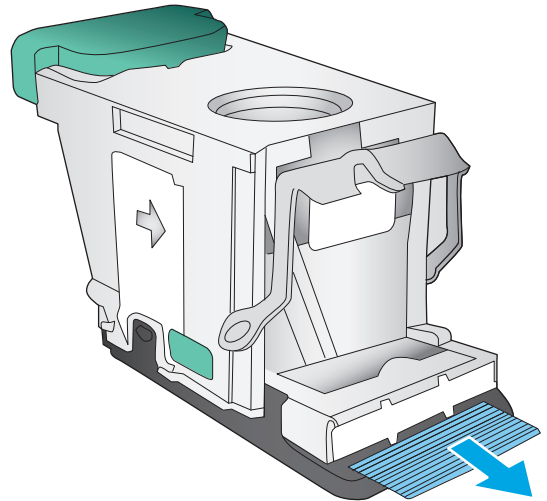
3. Pull the staple cartridge up and out to remove it.



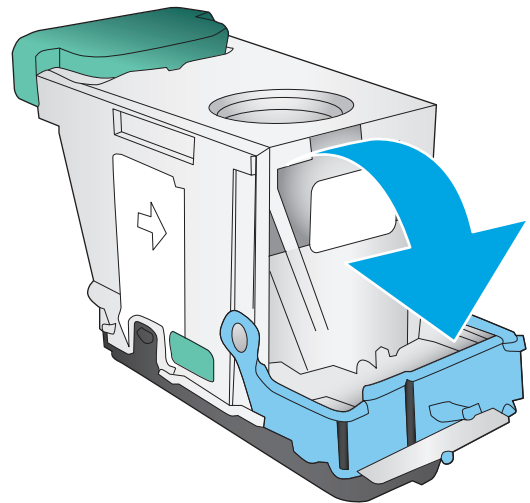
4. Lift up the metal handle on the front of the staple cartridge.



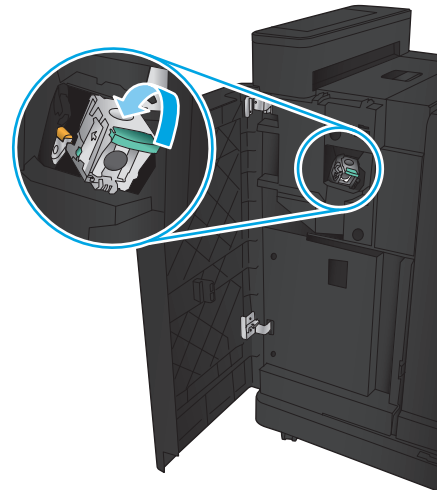
5. Remove any jammed staples from the staple cartridge.



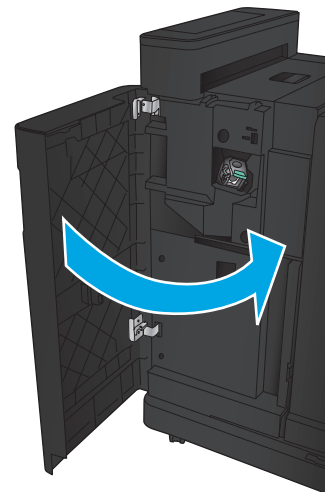
6. Push down the metal handle on the front of the staple cartridge.



7. Insert the staple cartridge. Press down on the top of the staple cartridge until it clicks into place.



8. Close the front left door.

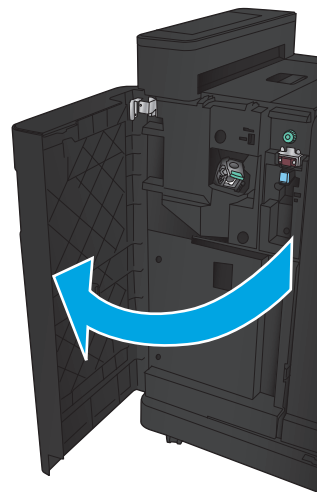


## Clear jams in the stapler/stacker with hole punch accessory

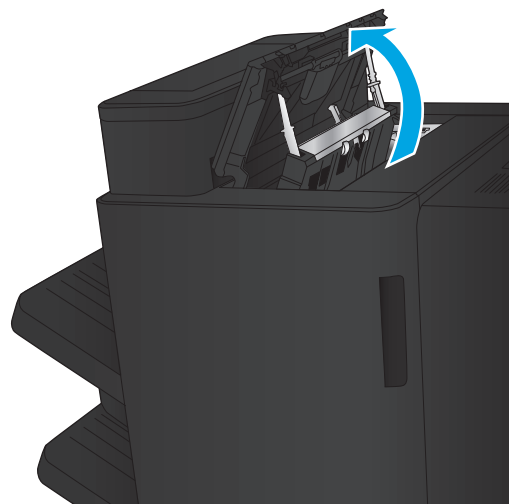
- [Clear top left door jams in the stapler/stacker with hole punch accessory](#)
- [Clear a connection jam in the stapler/stacker with hole punch accessory](#)
- [Clear Staple 1 jams](#)

### Clear top left door jams in the stapler/stacker with hole punch accessory

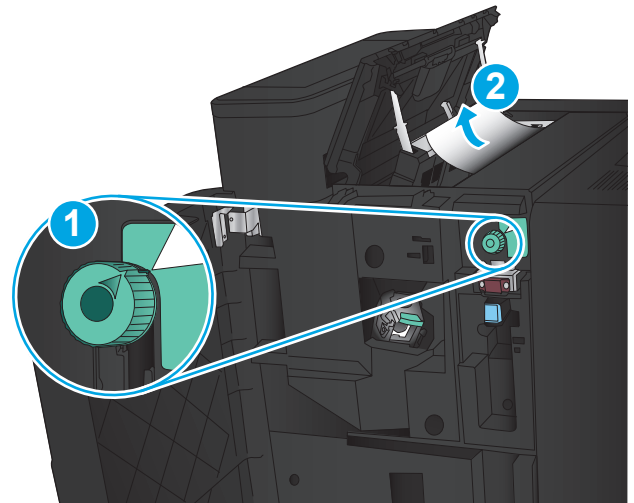
1. Open the front left door.



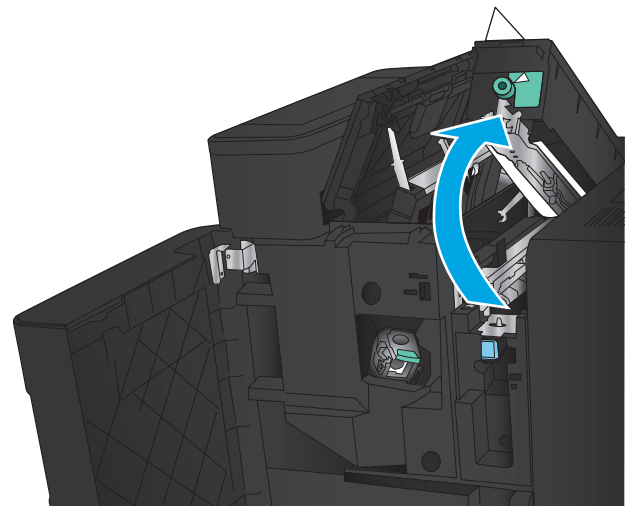
2. Open the top left door.



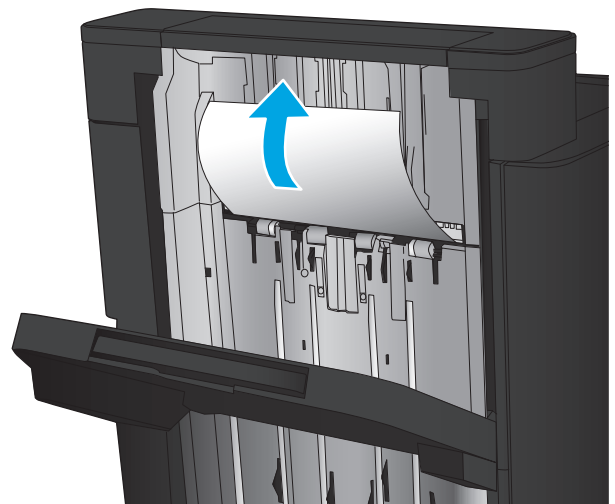
3. Turn the knob to align the arrows.



4. Lift the hole-punch unit.

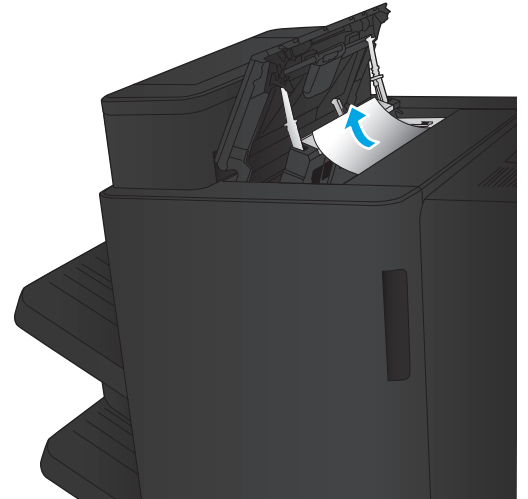


5. Lift the jam access cover for the output slot, and gently remove any jammed paper.



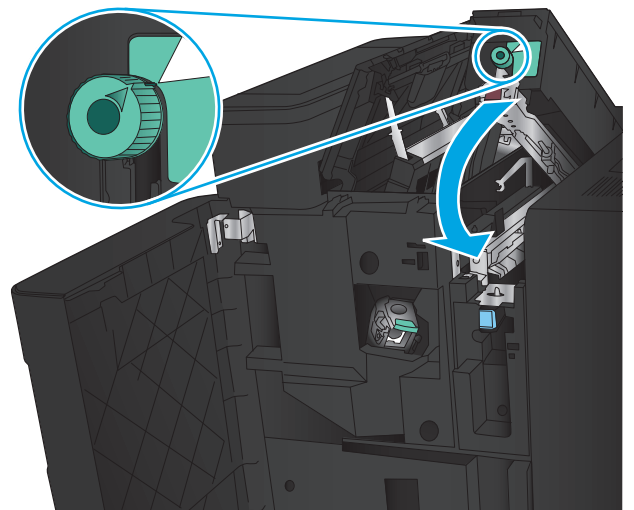


6. Remove jammed paper from top left cover area.

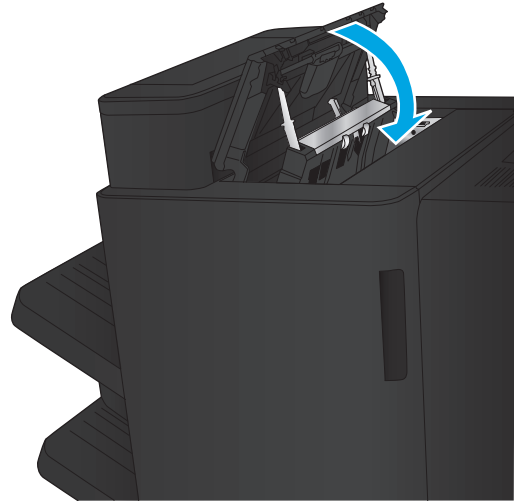


7. Close the hole-punch unit.

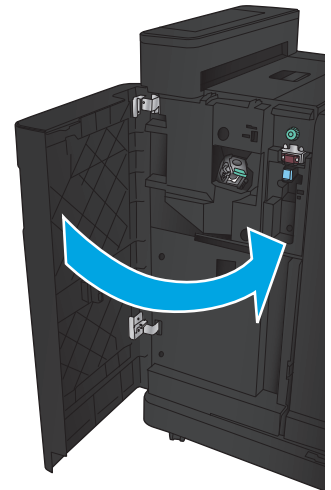
**NOTE:** Ensure the notch on the hole punch is positioned as shown in the graphic.



8. Close the top left door.

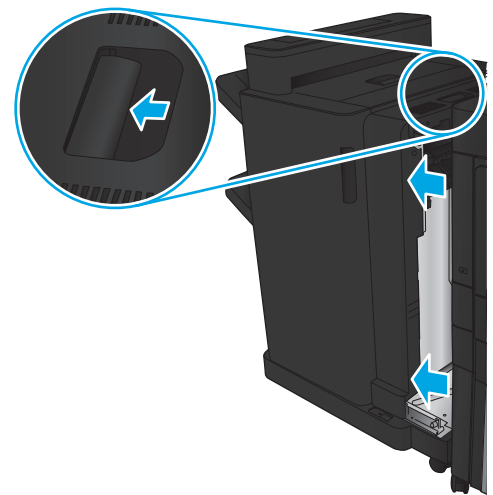


9. Close the front left door.

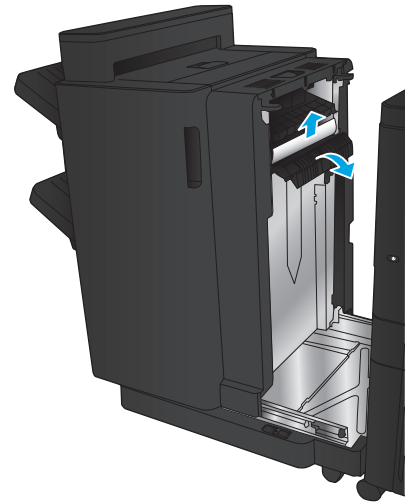


### Clear a connection jam in the stapler/stacker with hole punch accessory

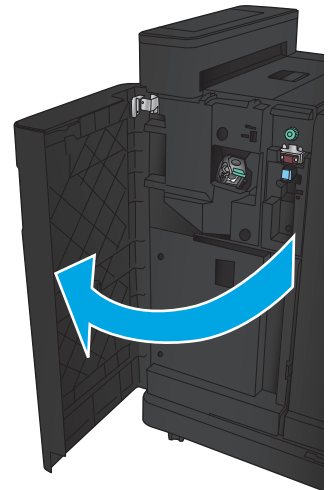
1. Pull the release handle on the top of the finishing accessory, and then slide the finisher away from the product until it stops.



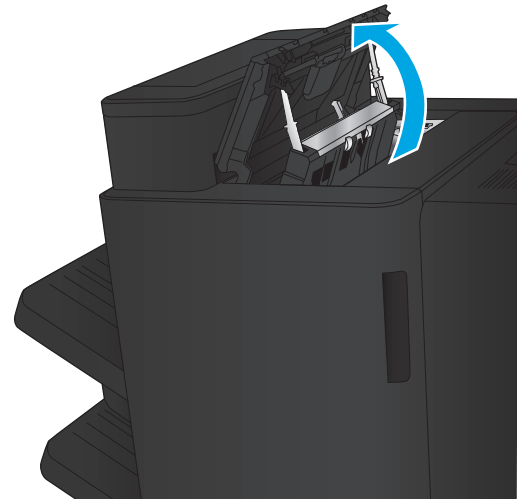
2. Remove any paper from the area.



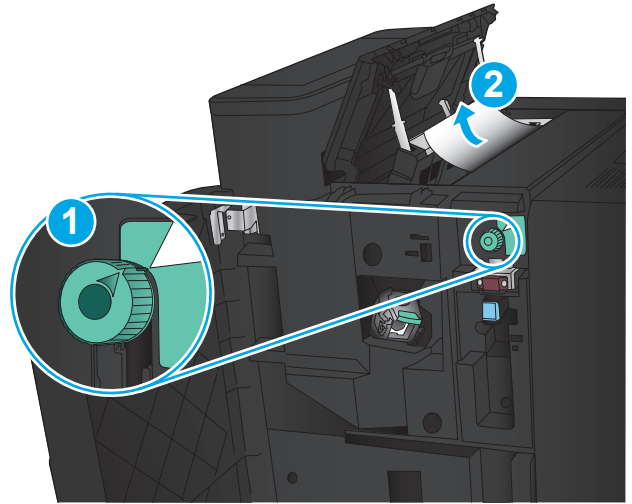
3. Open the front left door.



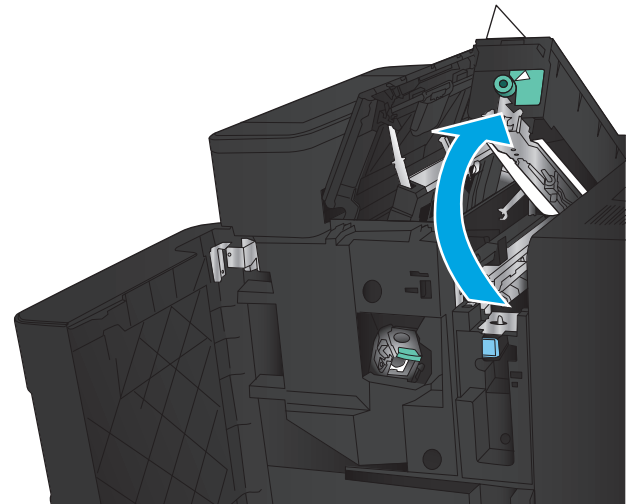
4. Open the top left door.



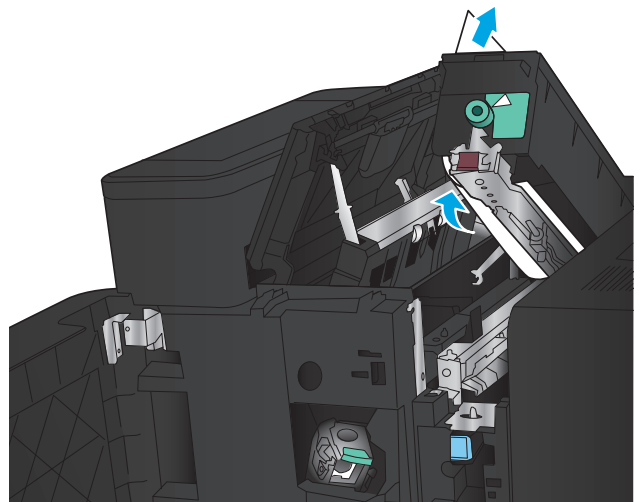
- 5. Turn the knob to align the arrows, and then gently pull out the jammed paper.



- 6. If you cannot remove the jammed paper, lift the hole-punch unit.

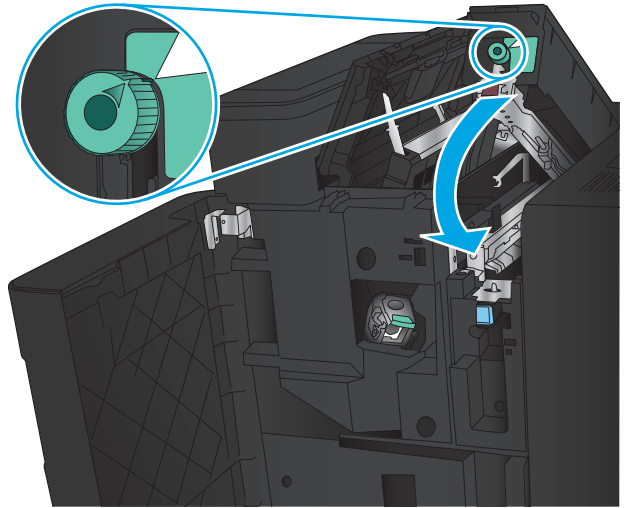


- 7. Remove the jammed paper from the bottom of the hole-punch unit.

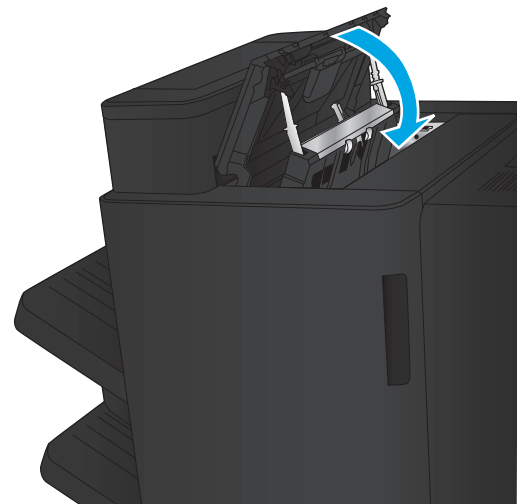


8. Close the hole-punch unit.

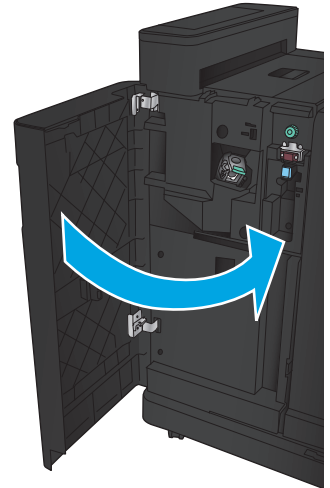
**NOTE:** Ensure the arrow on the hole-punch knob is positioned as shown in the graphic.



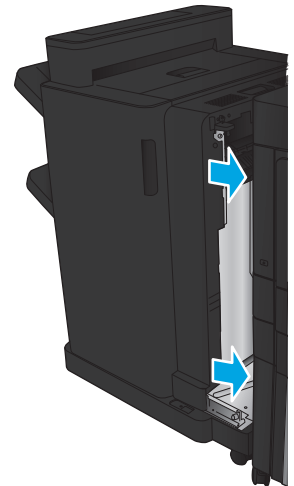
9. Close the top left door.



10. Close the front left door.

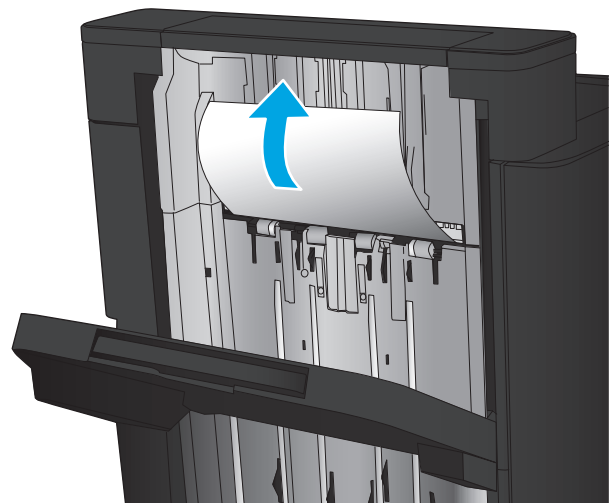


11. Attach the finishing accessory to the product.

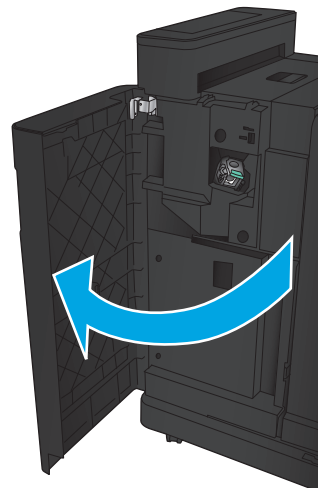


### Clear Staple 1 jams

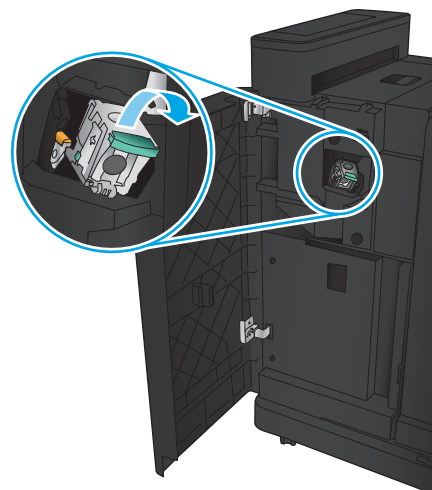
1. Lift the jam access cover for the output slot, and gently remove any jammed paper.



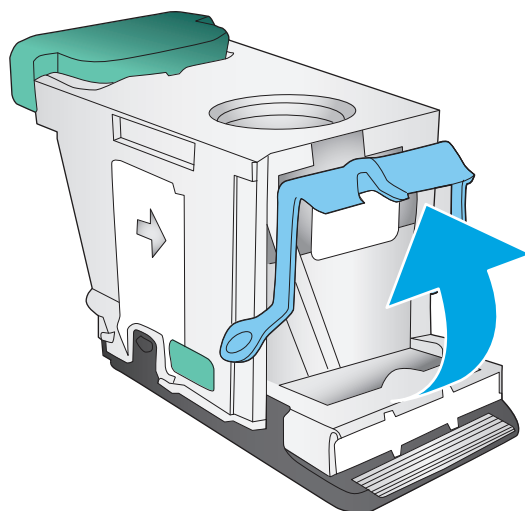
2. Wait three seconds, and then open the front left door.



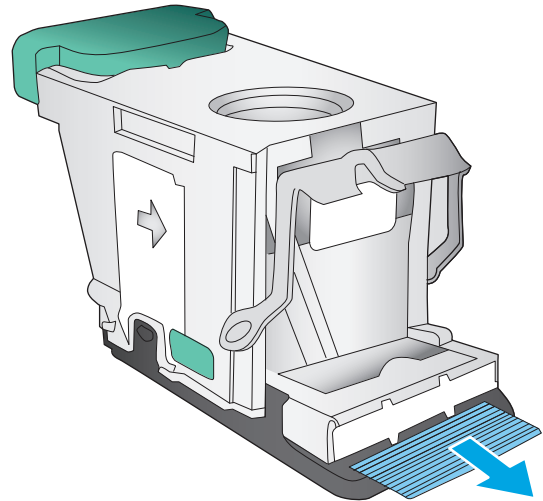
3. Pull the staple cartridge up and out to remove it.



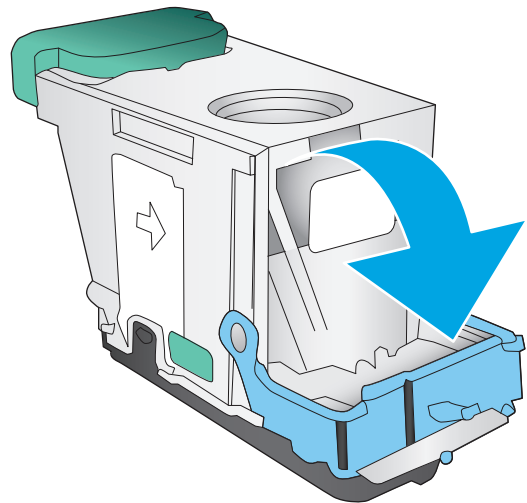
4. Lift up the metal handle on the front of the staple cartridge.



5. Remove any jammed staples from the staple cartridge.

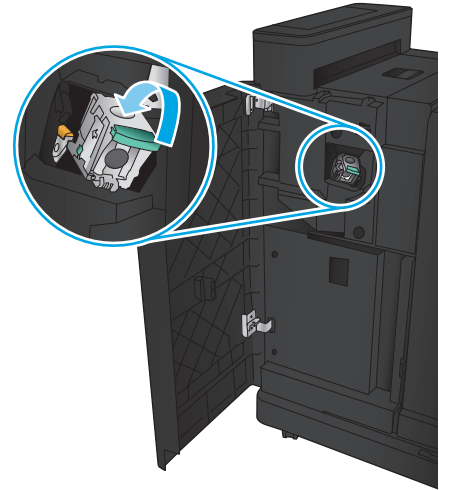


6. Push down the metal handle on the front of the staple cartridge.

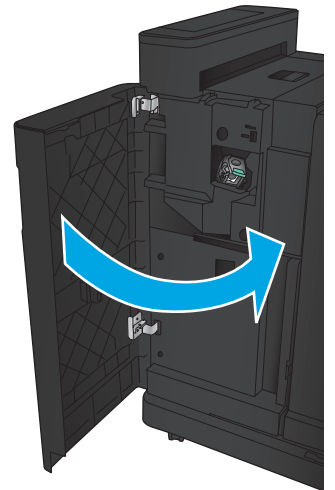




7. Insert the staple cartridge. Press down on the top of the staple cartridge until it clicks into place.



8. Close the front left door.

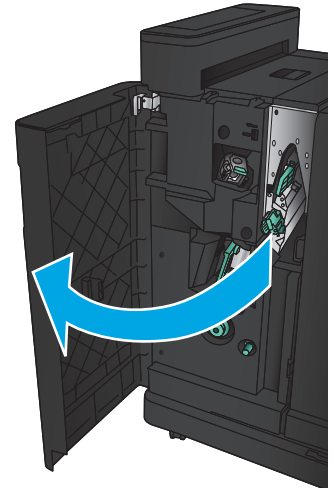


## Clear jams in the booklet maker accessory

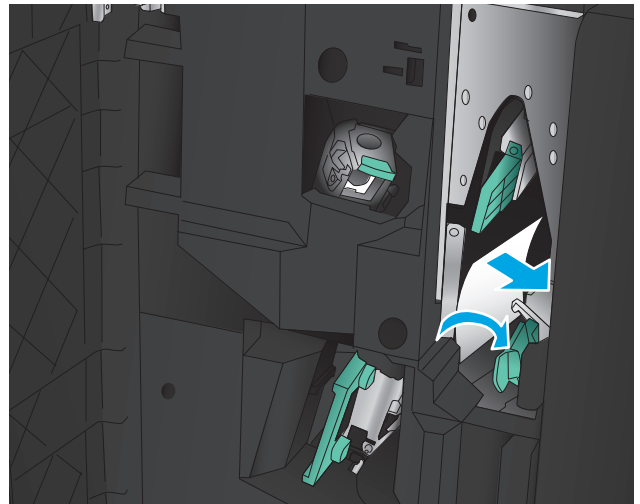
- [Clear jams in the front left door of the booklet maker](#)
- [Clear connection jams](#)
- [Clear Staple 1 jams](#)
- [Clear staple jams in the booklet maker](#)

### Clear jams in the front left door of the booklet maker

1. Open the front left door.

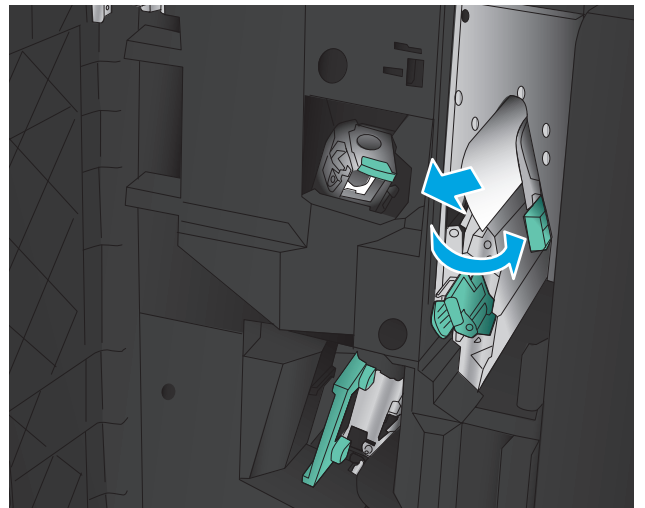


2. Move the lower jam-release lever to the right, and then remove any paper.

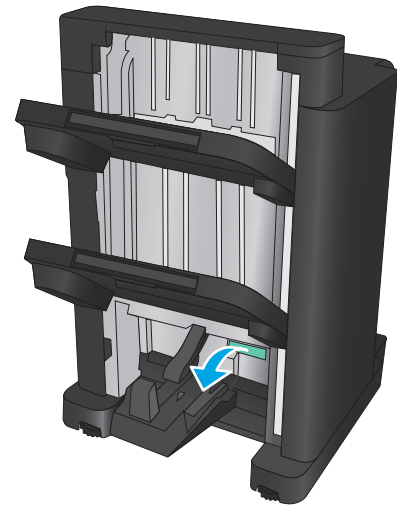


3. Move the lower jam-release handle to the left.

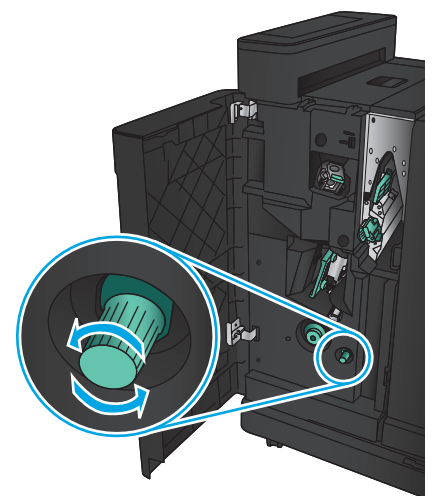
4. Move the upper jam-release handle to the right, and then remove any paper.



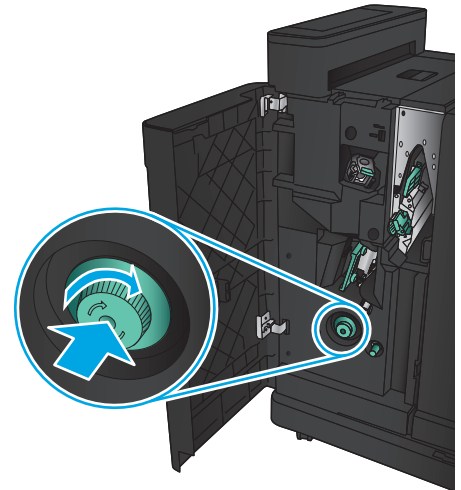
5. Move the upper jam-release handle to the left.
6. Open the lower booklet door.



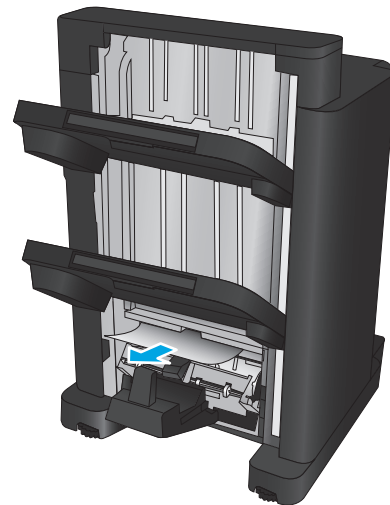
7. Turn the lower jam-release knob counter-clockwise.



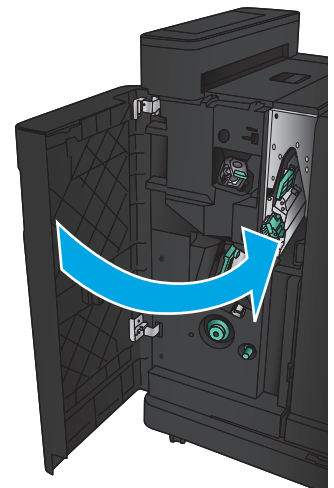
8. Press the jam-release knob, and then turn it clockwise.



9. Remove all paper from the lower booklet door area, and then close the door.

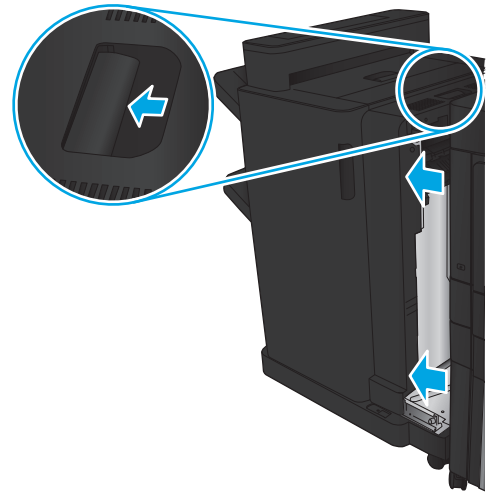


10. Close the front left door.

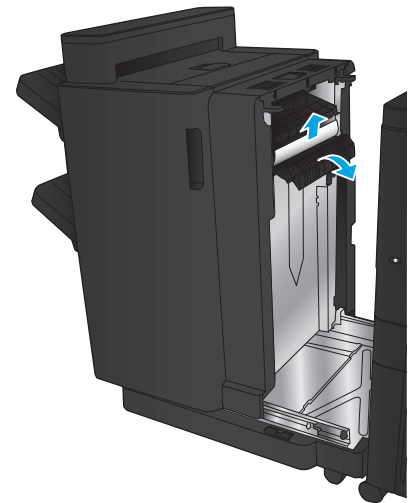


## Clear connection jams

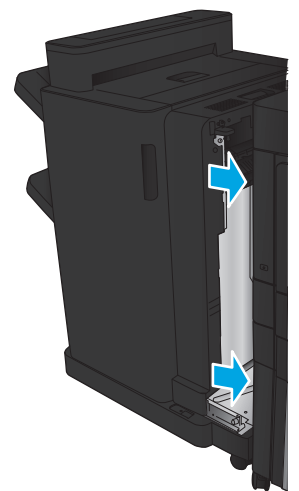
1. Pull the release handle on the top of the finishing accessory, and then slide the finisher away from the product until it stops.



2. Remove any paper from the area.

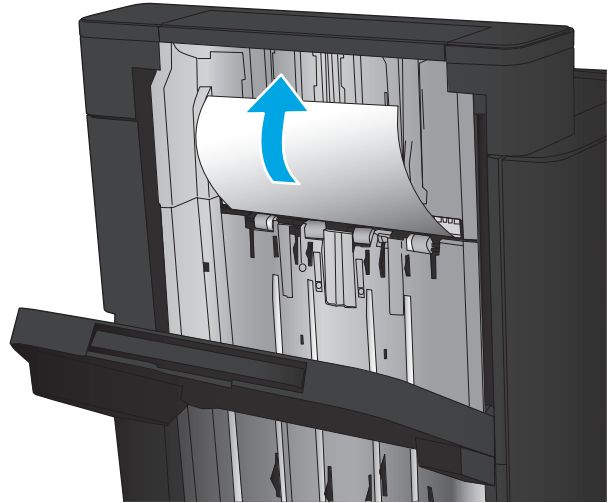


3. Attach the finishing accessory.

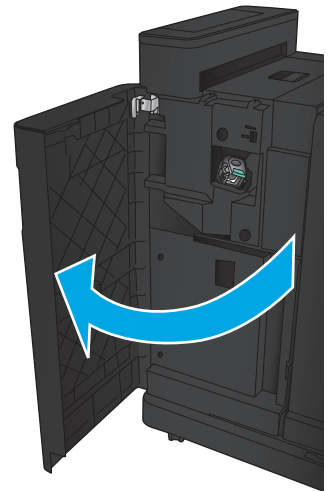


## Clear Staple 1 jams

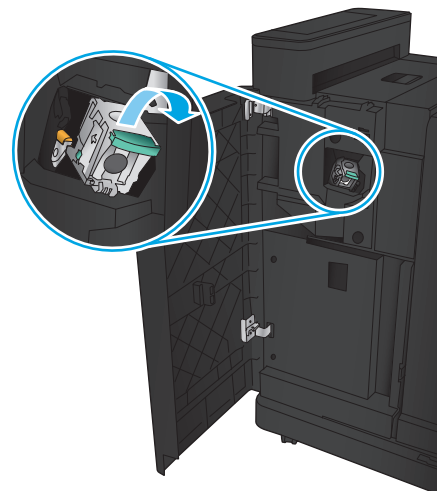
1. Lift the jam access cover for the output slot, and gently remove any jammed paper.



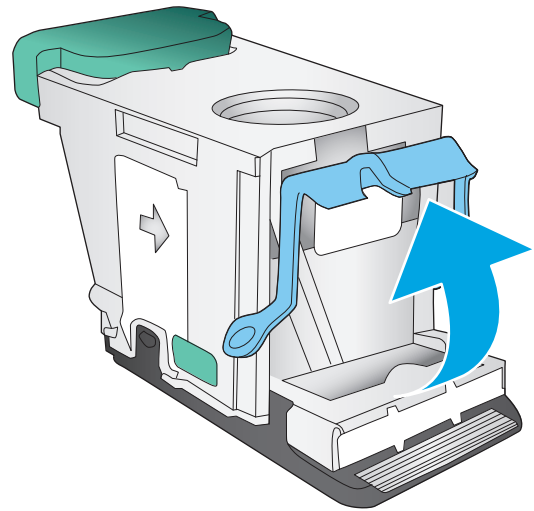
2. Wait three seconds, and then open the front left door.



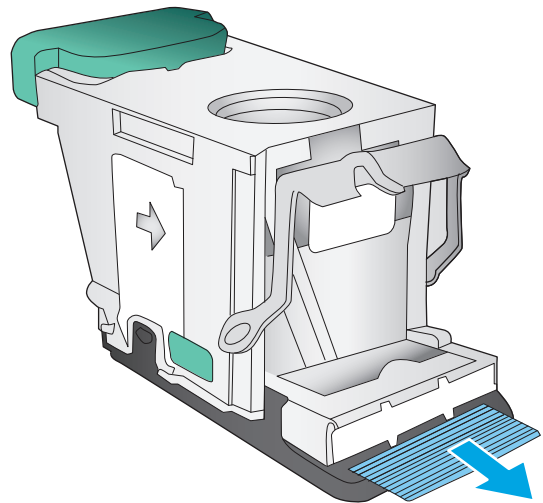
3. Pull the staple cartridge up and out to remove it.



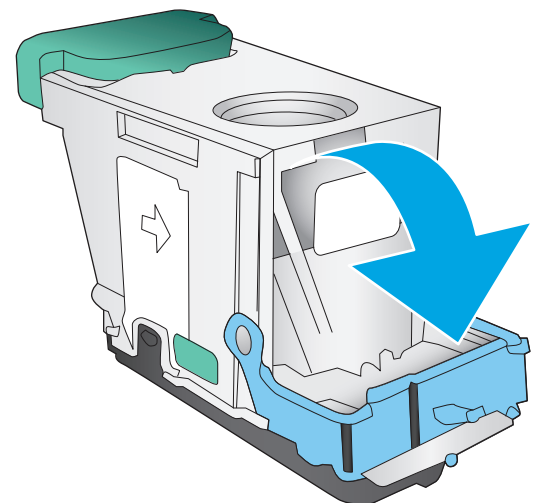
4. Lift up the metal handle on the front of the staple cartridge.



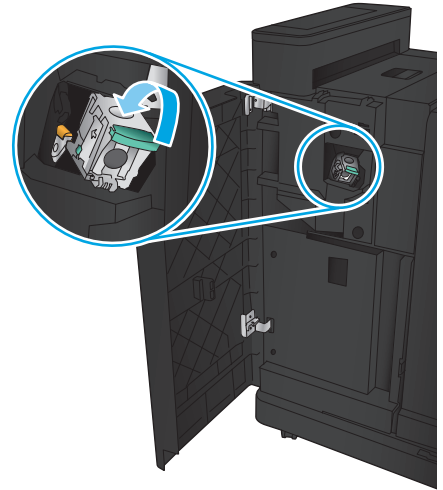
5. Remove any jammed staples from the staple cartridge.



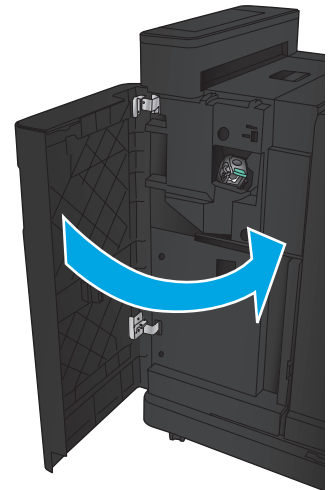
6. Push down the metal handle on the front of the staple cartridge.



7. Insert the staple cartridge. Press down on the top of the staple cartridge until it clicks into place.

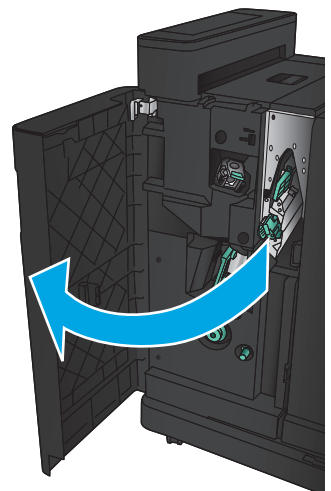


8. Close the front left door.



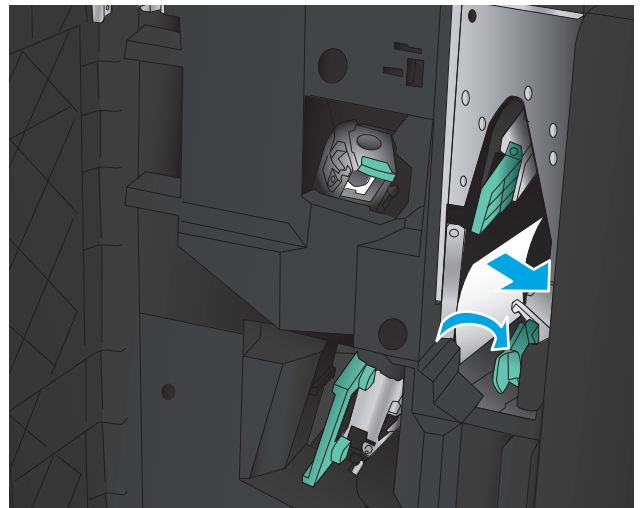
### Clear staple jams in the booklet maker

1. Open the front left door.

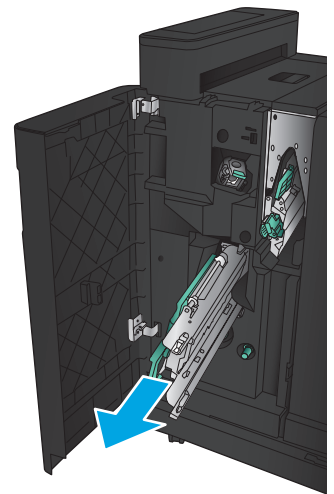




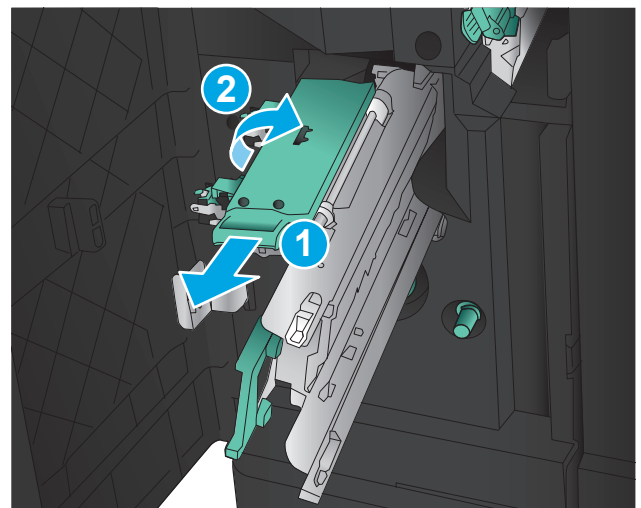
2. Move the lower delivery guide handle to the right, and then remove any paper.



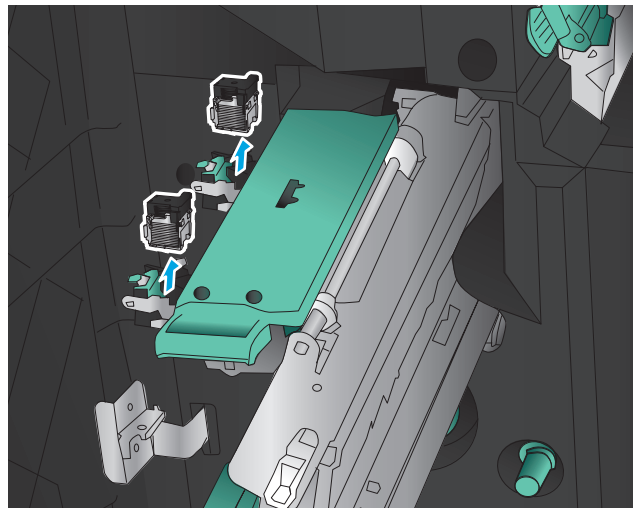
3. Move the lower delivery guide handle to the left.
4. Grasp the green handle and pull the staple carriage out.



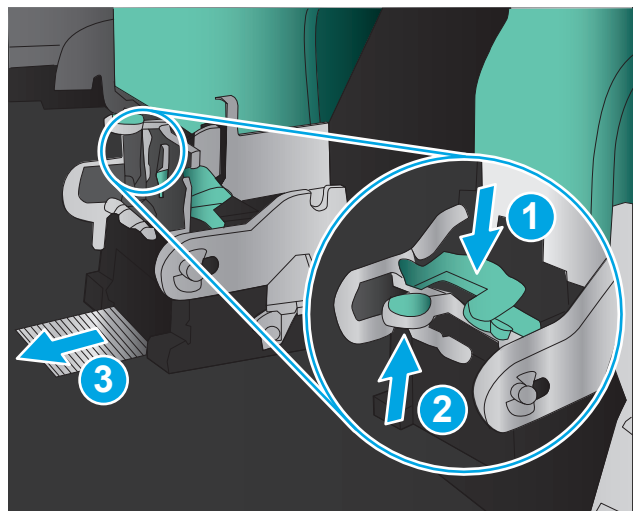
5. Pull the green handle of the stapler unit toward you and rotate it upward. Push the handle in to lock it in the open position.



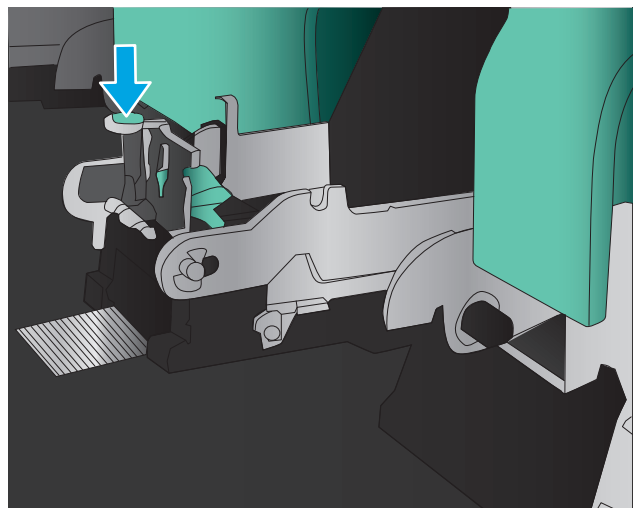
- 6. Grasp the edges of each staple cartridge and firmly pull up to remove the staple cartridges from the staple cartridge unit.



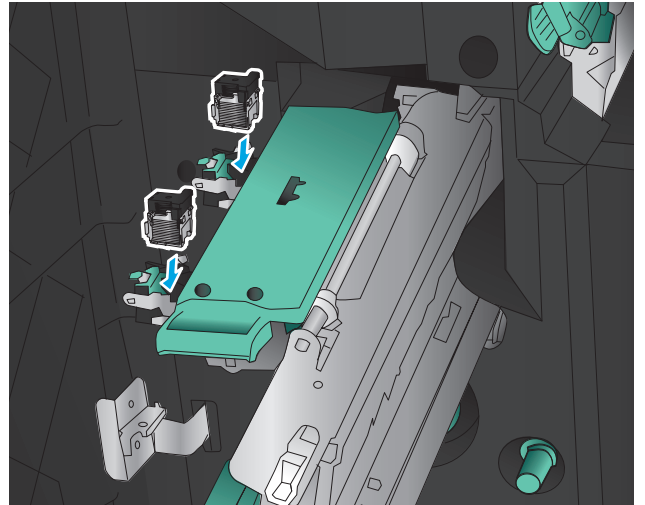
- 7. Press down on the jam-release at the back of the saddle-staple cartridge, push up on the plate at the front of the cartridge, and then remove any jammed staples.



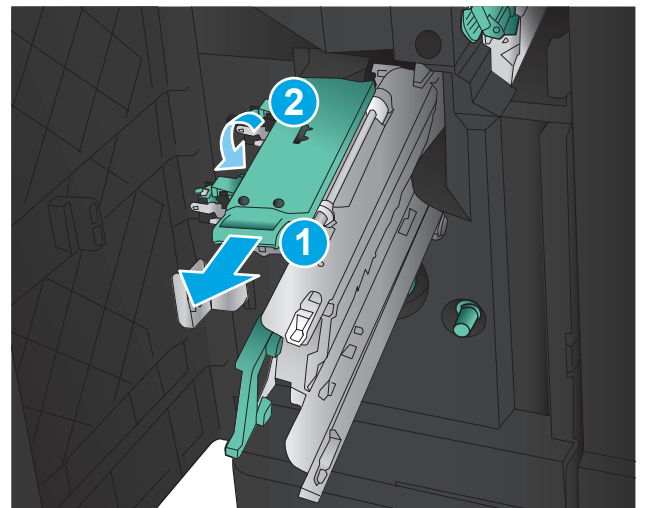
- 8. Press down on the front of the saddle-staple cartridge close it.



9. Insert the staple cartridges.

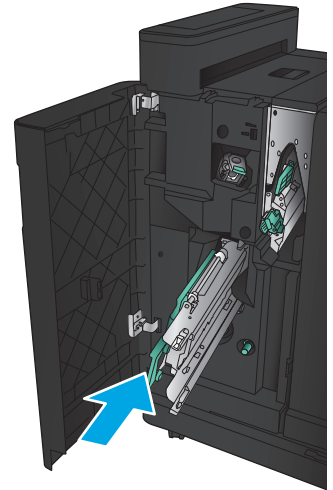


10. Pull the handle of the staple cartridge unit toward you and rotate it downward to its original position. Lock it into position by pushing in the handle.

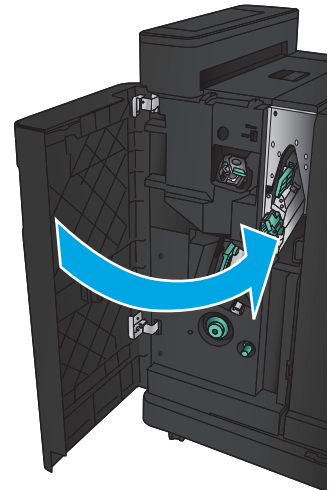


11. Push the saddle-stitch carriage in.

**NOTE:** If the saddle-stitch carriage does not easily slide into the finisher, the staple unit is not closed properly. Pull the saddle-stitch carriage out of the finisher and reseal the stapler unit.



12. Close the front left door.



## Improve print quality

- [Print from a different software program](#)
- [Check the paper-type setting for the print job](#)
- [Check toner-cartridge status](#)
- [Print a cleaning page](#)
- [Visually inspect the toner-cartridge](#)
- [Check paper and the printing environment](#)
- [Check the EconoMode settings](#)
- [Try a different print driver](#)
- [Set the individual tray alignment](#)

### Print from a different software program

Try printing from a different software program. If the page prints correctly, the problem is with the software program from which you were printing.

### Check the paper-type setting for the print job

Check the paper type setting if you are printing from a software program and the pages have any of these problems:

- smeared print
- fuzzy print
- dark print
- curled paper
- scattered dots of toner
- loose toner
- small areas of missing toner

### Check the paper type setting (Windows)

1. From the software program, select the **Print** option.
2. Select the product, and then click the **Properties** or **Preferences** button.
3. Click the **Paper/Quality** tab.
4. From the **Paper Type** drop-down list, click the **More...** option.
5. Expand the list of **Type is:** options.
6. Expand the category of paper types that best describes your paper.

7. Select the option for the type of paper you are using, and click the **OK** button.
8. Click the **OK** button to close the **Document Properties** dialog box. In the **Print** dialog box, click the **OK** button to print the job.

### Check the paper type setting (Mac OS X)

1. Click the **File** menu, and then click the **Print** option.
2. In the **Printer** menu, select the product.
3. By default, the print driver displays the **Copies & Pages** menu. Open the menus drop-down list, and then click the **Finishing** menu.
4. Select a type from the **Media Type** drop-down list.
5. Click the **Print** button.

### Check toner-cartridge status

Follow these steps to check the estimated life remaining in the toner cartridges and if applicable, the status of other replaceable maintenance parts.

1. From the Home screen on the product control panel, scroll to and touch the **Supplies** button.
2. The status of all supply items is listed on the screen.
3. To print or view a report of the status of all supply items, including the genuine HP part number for reordering the supply, touch the **Manage Supplies** button. Touch the **Supplies Status** button, and then touch either the **Print** or **View** button.
4. Check the percent of life remaining for the toner cartridges and if applicable, the status of other replaceable maintenance parts.

Print quality problems can occur when using a toner cartridge that is at its estimated end of life. The supplies status page indicates when a supply level is very low. After an HP supply has reached the very low threshold, HP's premium protection warranty on that supply has ended.

The toner cartridge does not need to be replaced now unless the print quality is no longer acceptable. Consider having a replacement available to install when print quality is no longer acceptable.

If you determine that you need to replace a toner cartridge or other replaceable maintenance parts, the supplies status page lists the genuine HP part numbers.

5. Check to see if you are using a genuine HP cartridge.

A genuine HP toner cartridge has the words "HP" or "Hewlett-Packard" on it, or has the HP logo on it. For more information on identifying HP cartridges go to [www.hp.com/support](http://www.hp.com/support). Select your country/region. Click **Product Support & Troubleshooting**. Enter the product name, and then select **Search**.

Hewlett-Packard cannot recommend the use of non-HP supplies, either new or remanufactured. Because they are not HP products, HP cannot influence their design or control their quality. If you are using a refilled or remanufactured toner cartridge and are not satisfied with the print quality, replace the toner cartridge with a genuine HP toner cartridge.

## Print a cleaning page

Print a cleaning page to remove dust and excess toner from the fuser if you are having any of the following problems:

- Specks of toner are on the printed pages.
- Toner is smearing on the printed pages.
- Repeated marks occur on the printed pages.

Use the following procedure to print a cleaning page.

1. From the Home screen on the product control panel, scroll to and touch the [Device Maintenance](#) button.
2. Touch [Calibration/Cleaning](#), and then touch [Print Cleaning Page](#) to print the page.
3. The cleaning process can take several minutes. When it is finished, discard the printed page.

## Visually inspect the toner-cartridge

1. Remove the toner cartridge from the product, and verify that the sealing tape has been removed.
2. Check the memory chip for damage.
3. Examine the surface of the green imaging drum on the toner cartridge.

---

 **CAUTION:** Do not touch the imaging drum. Fingerprints on the imaging drum can cause print-quality problems.

---

4. If you see any scratches, fingerprints, or other damage on the imaging drum, replace the toner cartridge.
5. If the imaging drum does not appear to be damaged, rock the toner cartridge gently several times and reinstall it. Print a few pages to see if the problem has resolved.

## Check paper and the printing environment

### Use paper that meets HP specifications

Use different paper if you are having any of the following problems:

- The printing is too light or seems faded in areas.
- Specks of toner are on the printed pages.
- Toner is smearing on the printed pages.
- Printed characters seem misformed.
- Printed pages are curled.

Always use a paper type and weight that this product supports. In addition, follow these guidelines when selecting paper:

- Use paper that is of good quality and free of cuts, nicks, tears, spots, loose particles, dust, wrinkles, voids, staples, and curled or bent edges.
- Use paper that has not been previously printed on.

- Use paper that is designed for use in laser printers. Do not use paper that is designed only for use in Inkjet printers.
- Use paper that is not too rough. Using smoother paper generally results in better print quality.

## Check the environment

Environmental conditions can directly affect print quality, and they are a common cause for paper-feeding problems. Try the following solutions:

- Move the product away from drafty locations, such as air-conditioning vents, or open windows or doors.
- Make sure the product is not exposed to temperatures or humidity outside of product specifications.
- Do not place the product in a confined space, such as a cabinet.
- Place the product on a sturdy, level surface.
- Remove anything that is blocking the vents on the product. The product requires good air flow on all sides, including the top.
- Protect the product from airborne debris, dust, steam, grease, or other elements that can leave residue inside the product.

## Check the EconoMode settings

HP does not recommend the full-time use of EconoMode. If EconoMode is used full-time, the toner supply might outlast the mechanical parts in the toner cartridge. If print quality begins to degrade and is no longer acceptable, consider replacing the toner cartridge.



**NOTE:** This feature is available with the PCL 6 print driver for Windows. If you are not using that driver, you can enable the feature by using the Embedded Web Server.

Follow these steps if the entire page is too dark or too light.

1. From the software program, select the **Print** option.
2. Select the product, and then click the **Properties** or **Preferences** button.
3. Click the **Paper/Quality** tab, and locate the **Print Quality** area.
4. If the entire page is too dark, use these settings:
  - Select the **600 dpi** option.
  - Select the **EconoMode** check box to enable it.

If the entire page is too light, use these settings:

  - Select the **FastRes 1200** option.
  - Clear the **EconoMode** check box to disable it.
5. Click the **OK** button to close the **Document Properties** dialog box. In the **Print** dialog, click the **OK** button to print the job.



## Try a different print driver

Try using a different print driver if you are printing from a software program and the printed pages have unexpected lines in graphics, missing text, missing graphics, incorrect formatting, or substituted fonts.

Download any of the following drivers from the HP Web site. Go to [www.hp.com/support](http://www.hp.com/support). Select your country/region. Click **Drivers & Software**. Enter the product name, and then select **Search**.

---

<b>HP PCL 6 driver</b>	<ul style="list-style-type: none"><li>• Provided as the default driver on the product CD. This driver is automatically installed unless you select a different one.</li><li>• Recommended for all Windows environments</li><li>• Provides the overall best speed, print quality, and product-feature support for most users</li><li>• Developed to align with the Windows Graphic Device Interface (GDI) for the best speed in Windows environments</li><li>• Might not be fully compatible with third-party and custom software programs that are based on PCL 5</li></ul>
<b>HP UPD PS driver</b>	<ul style="list-style-type: none"><li>• Recommended for printing with Adobe® software programs or with other highly graphics-intensive software programs</li><li>• Provides support for printing from postscript emulation needs, or for postscript flash font support</li></ul>
<b>HP UPD PCL 5</b>	<ul style="list-style-type: none"><li>• Recommended for general office printing in Windows environments</li><li>• Compatible with previous PCL versions and older HP LaserJet products</li><li>• The best choice for printing from third-party or custom software programs</li><li>• The best choice when operating with mixed environments, which require the product to be set to PCL 5 (UNIX, Linux, mainframe)</li><li>• Designed for use in corporate Windows environments to provide a single driver for use with multiple product models</li><li>• Preferred when printing to multiple product models from a mobile Windows computer</li></ul>
<b>HP UPD PCL 6</b>	<ul style="list-style-type: none"><li>• Recommended for printing in all Windows environments</li><li>• Provides the overall best speed, print quality, and printer feature support for most users</li><li>• Developed to align with Windows Graphic Device Interface (GDI) for best speed in Windows environments</li><li>• Might not be fully compatible with third-party and custom software programs that are based on PCL 5</li></ul>

---

## Set the individual tray alignment

Adjust the alignment for individual trays when text or images are not centered or aligned correctly on the printed page.

1. From the Home screen on the product control panel, scroll to and touch the **Administration** button.
2. Open the following menus:

- [General Settings](#)
  - [Print Quality](#)
  - [Image Registration](#)
3. Select the tray that you want to adjust.
  4. Touch the [Print Test Page](#) button, and then follow the instructions on the printed pages.
  5. Touch the [Print Test Page](#) button to verify the results, and then make further adjustments if necessary.
  6. When you are satisfied with the results, touch the [Save](#) button to save the new settings.

# Solve wired network problems

Check the following items to verify that the product is communicating with the network. Before beginning, print a configuration page from the product control panel and locate the product IP address that is listed on this page.

- [Poor physical connection](#)
- [The computer is using the incorrect IP address for the product](#)
- [The computer is unable to communicate with the product](#)
- [The product is using incorrect link and duplex settings for the network](#)
- [New software programs might be causing compatibility problems](#)
- [The computer or workstation might be set up incorrectly](#)
- [The product is disabled, or other network settings are incorrect](#)



**NOTE:** HP does not support peer-to-peer networking, as the feature is a function of Microsoft operating systems and not of the HP print drivers. For more information, go to Microsoft at [www.microsoft.com](http://www.microsoft.com).

## Poor physical connection

1. Verify that the product is attached to the correct network port using a cable of the correct length.
2. Verify that cable connections are secure.
3. Look at the network port connection on the back of the product, and verify that the amber activity light and the green link-status light are lit.
4. If the problem continues, try a different cable or port on the hub.

## The computer is using the incorrect IP address for the product

1. Open the printer properties and click the **Ports** tab. Verify that the current IP address for the product is selected. The product IP address is listed on the product configuration page.
2. If you installed the product using the HP standard TCP/IP port, select the box labeled **Always print to this printer, even if its IP address changes**.
3. If you installed the product using a Microsoft standard TCP/IP port, use the hostname instead of the IP address.
4. If the IP address is correct, delete the product and then add it again.

## The computer is unable to communicate with the product

1. Test network communication by pinging the network.

- a. Open a command-line prompt on your computer. For Windows, click **Start**, click **Run**, type `cmd`, and then press **Enter**.
  - b. Type `ping` followed by the IP address for your product.  
  
For Mac OS X, open the Network Utility, and then supply the IP address in the correct field in the **Ping** pane.
  - c. If the window displays round-trip times, the network is working.
2. If the ping command failed, verify that the network hubs are on, and then verify that the network settings, the product, and the computer are all configured for the same network.

## The product is using incorrect link and duplex settings for the network

Hewlett-Packard recommends leaving these settings in automatic mode (the default setting). If you change these settings, you must also change them for your network.

## New software programs might be causing compatibility problems

Verify that any new software programs are correctly installed and that they use the correct print driver.

## The computer or workstation might be set up incorrectly

1. Check the network drivers, print drivers, and the network redirection settings.
2. Verify that the operating system is configured correctly.

## The product is disabled, or other network settings are incorrect

1. Review the configuration page to check the status of the network protocol. Enable it if necessary.
2. Reconfigure the network settings if necessary.

---

# Index

## A

accessories  
    ordering 28  
    part number 30  
AirPrint 53

## B

bins, output  
    locating 4  
Bonjour  
    identifying 56  
booklet maker  
    delivery guides, locating 11  
    front door, locating 11  
    jams 114  
    output bins, locating 11  
    part number 30  
    release latch, locating 11  
    staple jams 120  
    stapler, locating 11  
    top cover, locating 11  
booklet makerr  
    output slot, locating 11  
browser requirements  
    HP embedded Web Server 56

## C

cartridge  
    replacing 31  
cleaning  
    paper path 127  
control panel  
    help 67  
    locating 4  
    locating features 7  
covers  
    locating 4

## D

deleting  
    stored jobs 51  
document feeder  
    paper-feeding problems 70  
double-sided printing  
    Mac 46  
duplex printing  
    Mac 46  
duplex printing (double-sided)  
    settings (Windows) 37  
duplexer  
    jams 87  
    locating 5  
duplexing  
    manually (Mac) 46  
    manually (Windows) 39

## E

easy-access USB printing 54  
Embedded Web Server (EWS)  
    assigning passwords 62  
    features 56  
    network connection 56  
energy use, optimizing 60  
envelopes  
    loading in Tray 1 15  
    orientation 16  
Ethernet (RJ-45)  
    locating 6  
Explorer, versions supported  
    HP Embedded Web Server 56

## F

FIH (foreign interface harness)  
    locating 6  
file upload, Mac 57  
firmware  
    update, Mac 58

## fonts

    upload, Mac 57  
foreign interface harness (FIH)  
    locating 6  
formatter  
    locating 5  
front door  
    jams 73  
    locating 4  
fuser  
    jams 92  
    locating 5

## H

hard disks  
    encrypted 63  
hardware integration pocket (HIP)  
    locating 4  
Help button  
    locating 7  
help, control panel 67  
Hi-Speed USB 2.0 printing port  
    locating 6  
HIP (hardware integration pocket)  
    locating 4  
hole punch  
    setting default location 25  
hole punch accessory  
    connection jams 106  
    jams 103  
Home button  
    locating 7  
HP Embedded Web Server (EWS)  
    features 56  
    network connection 56  
HP ePrint 52  
HP ePrint software 52  
HP Utility 57

- HP Utility for Mac
  - Bonjour 57
  - features 57
- HP Utility, Mac 57
- HP Web Jetadmin 59

## I

- imaging drum
  - locating 31
- interface ports
  - locating 6
- Internet Explorer, versions supported
  - HP Embedded Web Server 56
- IP Security 62
- IPsec 62

## J

- jams
  - auto-navigation 72
  - booklet maker 114
  - causes of 72
  - duplexer 87
  - front door 73
  - hole punch accessory 103
  - hole punch accessory
    - connection 106
  - left door (fuser area) 92
  - output bin 95
  - right door 79
  - staple in hole punch accessory 99, 110, 118
  - stapler/stacker 97, 98, 117
  - staples in booklet maker 120
  - Tray 1 76
  - Tray 2 and Tray 3 82
  - Tray 4 and Tray 5 83
- Jetadmin, HP Web 59
- jobs, stored
  - creating (Windows) 48
  - deleting 51
  - Mac settings 50
  - printing 51

## L

- labels
  - printing (Windows) 43
- LAN port
  - locating 6
- Language Selection button
  - locating 7

- left door
  - jams 92
  - locating 5
- loading
  - paper in Tray 1 15
  - paper in Tray 2 and Tray 3 19
  - paper in Tray 4 and Tray 5 23
- local area network (LAN)
  - locating 6

## M

- Mac driver settings
  - Job Storage 50
- Macintosh
  - HP Utility 57
- maintenance kits
  - part numbers 28
- manual duplex
  - Mac 46
  - Windows 39
- memory
  - included 2
- memory chip (toner)
  - locating 31
- mobile printing solutions 2
- model number
  - locating 5
- multiple pages per sheet
  - printing (Mac) 46
  - printing (Windows) 41

## N

- Netscape Navigator, versions supported
  - HP embedded Web Server 56
- Network button
  - locating 7
- networks
  - HP Web Jetadmin 59
  - supported 2

## O

- on/off button
  - locating 4
- online help, control panel 67
- operating systems (OS)
  - supported 2
- ordering
  - supplies and accessories 28
- OS (operating system)
  - supported 2

- output bin
  - jams 95
- output bins
  - locating 4

## P

- pages per minute 2
- pages per sheet
  - selecting (Mac) 46
  - selecting (Windows) 41
- paper
  - jams 72
  - loading Tray 1 15
  - loading Tray 2 and Tray 3 19
  - selecting 127
  - Tray 1 orientation 16
  - Tray 2 and Tray 3 orientation 20
  - Tray 4 and Tray 5 23
- paper jams
  - booklet maker 114
  - duplexer 87
  - front door 73
  - fuser 92
  - hole punch accessory 103
  - hole punch accessory
    - connection 106
  - output bin 95
  - right door 79
  - stapler/stacker 97, 98, 117
  - Tray 1 76
  - Tray 2 and Tray 3 82
  - Tray 4 and Tray 5 83
- paper pickup problems
  - solving 70
- paper types
  - selecting (Mac) 47
  - selecting (Windows) 43
- paper, ordering 28
- part numbers
  - accessories 30
  - replacement parts 28
  - staple cartridges 28
  - supplies 28
  - toner cartridge 28
- ports
  - locating 6
- power connection
  - locating 5
- power switch
  - locating 4

- print media
  - loading in Tray 1 15
- print on both sides
  - Mac 46
  - Windows 39
- printing
  - from USB storage accessories 54
  - stored jobs 51
- printing on both sides
  - settings (Windows) 37
- R**
- Refresh button
  - locating 7
- replacement parts
  - part numbers 28
- replacing
  - toner cartridge 31
- restore factory settings 66
- right door
  - jams 79
  - locating 4
- RJ-45 port
  - locating 6
- S**
- security
  - encrypted hard disk 63
- serial number
  - locating 5
- settings
  - restore factory 66
- Sign in
  - control panel 62
- Sign In button
  - locating 7
- Sign Out button
  - locating 7
- Sleep button
  - locating 7
- software
  - HP Utility 57
- special paper
  - printing (Windows) 43
- speed, optimizing 60
- stacker
  - staple jams 99, 110, 118
- staple cartridges
  - part numbers 28
- staple jams
  - booklet maker 120
  - stapler/stacker 99, 110, 118
- stapler
  - locating 9
  - setting default staple location 25
- stapler/stacker
  - front door, locating 9
  - jams 97, 98, 117
  - output bins, locating 9
  - output slot, locating 9
  - part number 30
  - release latch, locating 9
  - staple jams 99, 110, 118
  - top cover, locating 9
- stapler/stacker with hole punch
  - front door, locating 10
  - hole punch, locating 10
  - output bins, locating 10
  - output slot, locating 10
  - release latch, locating 10
  - stapler, locating 10
  - top cover, locating 10
- stapling
  - setting default location 25
- Start button
  - locating 7
- status
  - HP Utility, Mac 57
  - status of product 7
- Stop button
  - locating 7
- storage, job
  - Mac settings 50
- stored jobs
  - creating (Mac) 50
  - creating (Windows) 48
  - deleting 51
  - printing 51
- storing jobs
  - with Windows 48
- supplies
  - low threshold settings 68
  - ordering 28
  - part numbers 28
  - replacing toner cartridge 31
  - status, viewing with HP Utility for Mac 57
  - using when low 68
- supplies status 126
- system requirements
  - HP Embedded Web Server 56
- T**
- toner cartridge
  - components 31
  - low threshold settings 68
  - part numbers 28
  - replacing 31
  - using when low 68
- toner-cartridge status 126
- transparencies
  - printing (Windows) 43
- Tray 1
  - jams 76
  - locating 4
  - paper orientation 16
- Tray 2 and Tray 3
  - jams 82
  - loading 19
  - locating 4
  - paper orientation 20
- Tray 4 and Tray 5
  - clear jams 83
  - loading 23
  - locating 4
- trays
  - capacity 2
  - configure 14
  - included 2
  - locating 4
- troubleshooting
  - jams 72
  - network problems 131
  - paper feed problems 70
  - wired network 131
- two-sided printing
  - settings (Windows) 37
- U**
- USB port
  - enabling 54
  - locating 6
- USB storage accessories
  - printing from 54
- W**
- Web browser requirements
  - HP Embedded Web Server 56

Web sites

HP Web Jetadmin, downloading

59







CZ244-90904

